

**SERIES 22
ES-20217**

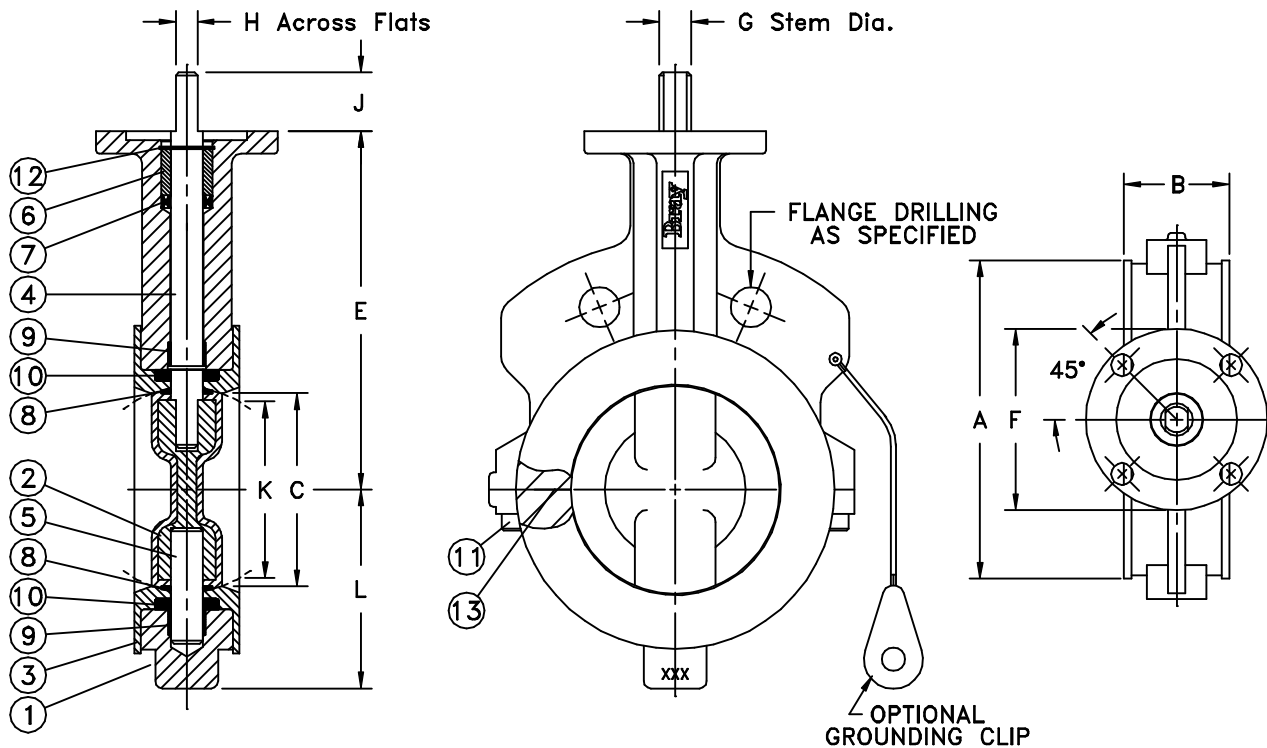
Date: November 1994

ATTENTION

THIS DOCUMENT IS VALID IF AND ONLY IF YOU PERSONALLY DOWNLOADED IF FROM WWW.BRAY.COM
IF YOU RECEIVED THIS DOCUMENT FROM ANY OTHER SOURCE, PLEASE TAKE INTO CONSIDERATION THAT ALTERATIONS
COULD HAVE BEEN MADE, FOR AN ORIGINAL COPY, PLEASE CONTACT BRAY VALVE AT 281-894-5454

Valve Size	A	B	C	E	F	Top BC	Plate No. of Holes	Drilling Hole Diameter	G	H	J	K	L	Adapter Code	Weight Kg.
50	98	43	51	140	90	70	4	10	14	10	32	29	56	A	2.9
65	111	46	64	152	90	70	4	10	14	10	32	45	63	A	3.4
80	127	46	76	159	90	70	4	10	14	10	32	62	71	A	3.8
100	159	52	102	178	90	70	4	10	16	11	32	88	90	B	6.1
125	187	56	127	190	90	70	4	10	19	13	32	115	109	C	7.2
150	216	56	146	203	90	70	4	10	19	13	32	136	121	C	9.3
200	270	60	197	241	150	125	4	14	22	16	32	189	153	D	17.5
250	324	68	248	273	150	125	4	14	30	22	51	239	188	E	25.8
300	378	78	298	311	150	125	4	14	30	22	51	289	214	E	37.2

Note: K dim is disc chordal dimension at valve face.



13	BODY SEAL	2		PTFE		
12	RETAINING RING	1		STAINLESS STEEL		
11	CAP SCREW	2		STAINLESS STEEL		
10	SEAT ENERGIZER	2		SILICONE RUBBER		
9	BEARING	2		COMPOSITE		
8	SEAL CAPSULE	2		PTFE		
7	STEM SEAL	1		VITON		
6	BUSHING	1		ACETAL		
5	LOWER STEM	1		STAINLESS STEEL		
4	UPPER STEM	1		STAINLESS STEEL		
3	SEAT	1		VIRGIN PTFE		
2	DISC	1		PTFE/S. STL		
1	BODY	1		DUCTILE IRON		

ITEM No.	NAME	No. REQUIRED	SERIES/PART No.	MATERIAL	ASTM SPECIFICATION	DIN SPECIFICATION
----------	------	--------------	-----------------	----------	--------------------	-------------------

Valve Size _____ Flg. Drilling _____
 Pressure Rating _____
 Customer/Project _____
 Inq./P.O. No. _____
 Bray Order No. _____
 Certified Correct By _____ Date _____

The High Performance Company
BRAY VALVE & CONTROLS
 A Subsidiary of BRAY INTERNATIONAL, Inc.

**DIMENSIONAL DRAWING (Metric) FOR
 SERIES 22 SIZES 50 THRU 300**

Series	Size	Part No.	Material Trim Code	Drawing No.
				ES-20217



**SERIES 23
ES-20218**

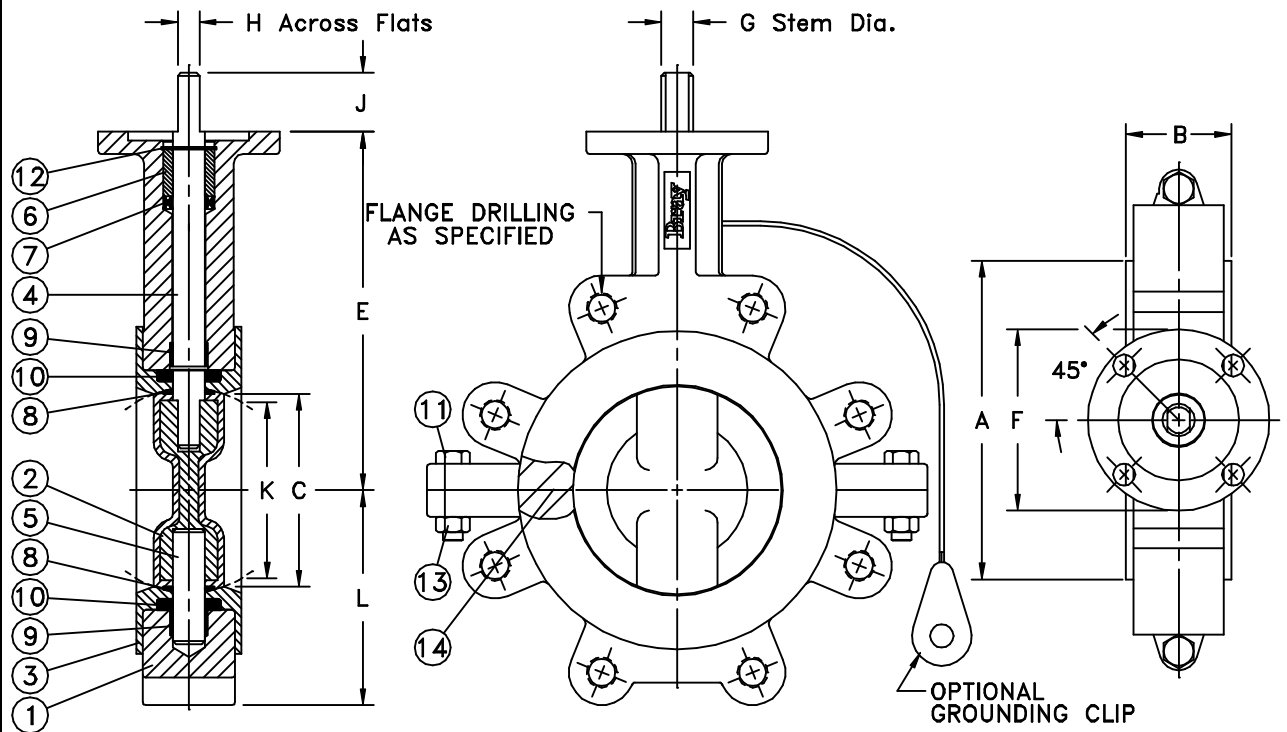
Date: November 1994

ATTENTION

THIS DOCUMENT IS VALID IF AND ONLY IF YOU PERSONALLY DOWNLOADED IF FROM WWW.BRAY.COM
IF YOU RECEIVED THIS DOCUMENT FROM ANY OTHER SOURCE, PLEASE TAKE INTO CONSIDERATION THAT ALTERATIONS
COULD HAVE BEEN MADE, FOR AN ORIGINAL COPY, PLEASE CONTACT BRAY VALVE AT 281-894-5454

Valve Size	A	B	C	E	F	BC	Top Plate No. of Holes	Drilling Hole Diameter	G	H	J	K	L	Lug BC	Bolting No. of Holes	Data Threads ISO Coarse	Adapter Code	Weight Kg.
50	98	43	51	140	90	70	4	10	14	10	32	29	58				A	3.5
65	111	46	64	152	90	70	4	10	14	10	32	45	63				A	4.5
80	127	46	76	159	90	70	4	10	14	10	32	62	71				A	5.0
100	159	52	102	178	90	70	4	10	16	11	32	88	104				B	8.0
125	187	56	127	190	90	70	4	10	19	13	32	115	117				C	9.5
150	216	56	146	203	90	70	4	10	19	13	32	136	129				C	13.0
200	270	60	197	241	150	125	4	14	22	16	32	189	155				D	23.5
250	324	68	248	273	150	125	4	14	30	22	51	239	195				E	34.5
300	378	78	298	311	150	125	4	14	30	22	51	289	229				E	52.5

Note: K dim is disc chordal dimension at valve face.



14	BODY SEAL	2		PTFE		
13	NUT	2		STAINLESS STEEL		
12	RETAINING RING	1		STAINLESS STEEL		
11	CAP SCREW	2		STAINLESS STEEL		
10	SEAT ENERGIZER	2		SILICONE RUBBER		
9	BEARING	2		COMPOSITE		
8	SEAL CAPSULE	2		PTFE		
7	STEM SEAL	1		VITON		
6	BUSHING	1		ACETAL		
5	LOWER STEM	1		STAINLESS STEEL		
4	UPPER STEM	1		STAINLESS STEEL		
3	SEAT	1		VIRGIN PTFE		
2	DISC	1		PTFE/S. STL		
1	BODY	1		DUCTILE IRON		

ITEM No.	NAME	No. REQUIRED	SERIES/PART No.	MATERIAL	ASTM SPECIFICATION	DIN SPECIFICATION
----------	------	--------------	-----------------	----------	--------------------	-------------------

Valve Size _____ Flg. Drilling _____	<p>The High Performance Company BRAY VALVE & CONTROLS A Subsidiary of BRAY INTERNATIONAL, Inc.</p> <p style="text-align: center;">DIMENSIONAL DRAWING (Metric) FOR SERIES 23 SIZES 50 THRU 300</p> <table border="1" style="width: 100%;"> <tr> <th>Series</th> <th>Size</th> <th>Part No.</th> <th>Material Trim Code</th> <th>Drawing No.</th> </tr> <tr> <td></td> <td></td> <td></td> <td></td> <td>ES-20218</td> </tr> </table>	Series	Size	Part No.	Material Trim Code	Drawing No.					ES-20218
Series		Size	Part No.	Material Trim Code	Drawing No.						
					ES-20218						
Pressure Rating _____											
Customer/Project _____											
Inq./P.O. No. _____											
Bray Order No. _____											
Certified Correct By _____ Date _____											