



**ITIS B.V.**  
 Daniëlsweg 6  
 NL-4451 HP Heinkenszand  
 T + 31 113 568515  
 info@itis-nl.com  
 www.itis-nl.com

ITIS Certificate  
 201500169-C002 rev2



Industrie Service

# API607 AND ISO 10497 FIRE TEST QUALIFICATION CERTIFICATE

This certificate is to certify that the valve below has been tested in accordance with, and meets all requirements stated in API Standard 607, sixth edition September 2010; Fire test for quarter turn valves and valves with non metallic seats, and ISO 10497 third edition 2010-02-15 Testing of valves - Fire- type testing requirements

**Test valve details**

Manufacturer : Zuercher Technik AG  
 Address : Neumattstrasse 6, ch – 4450, Sissach, Switzerland  
 Nominal size : DN50 – 2”  
 Pressure rating : PN64  
 Flow direction : Bi- directional  
 Type : Floating Ball valve, Series AF20D  
 Weight : 5.6kg  
 Bore : Full Bore DN50  
 Drawing number : 1602235.01 date: 01-02-2016  
 Body material : 1.0619/A216 WCB  
 Body gasket : Graphite  
 Stud bolt/Nut material : A2-70 / A2-70  
 Ball material : 1.4401/316  
 Seat material : RPTFE  
 Stem material : 1.4401/316  
 Stem seal material : Graphite  
 Identification No. : 00169002 (by ITIS)  
 Markings on valve : Body material, heat no. and Serial number on valve body  
 Gearbox : n.a.

**Scope of other sizes, weight, pressures and materials qualified by this test.**

| Tested valve      | 7.3 Nominal Size  | 7.4 Pressure rating                | 7.1 d (e) Weight                     |
|-------------------|---|------------------------------------|--------------------------------------|
| NPS2<br>DN50 PN64 | NPS2 and below; 2½; 3; 4<br>DN50 and below; 65; 80; 100 | Class 300; 400; 600<br>PN64; PN100 | AF20D and valves with a<br>mass >75% |

For material qualification see paragraph 7.2 in report mentioned below.

This certificate is only valid in conjunction with the full ITIS BV test report number 201500169-R002 rev2

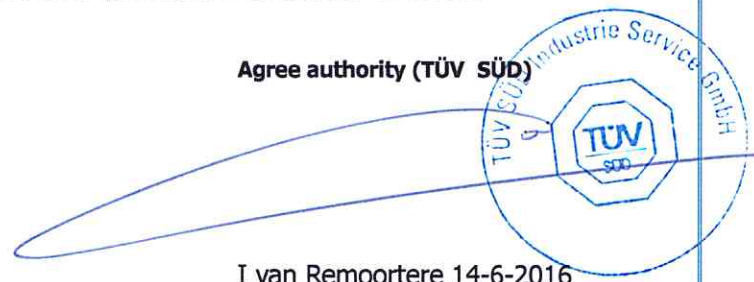
Name operator (ITIS)

TESTED  
 REVIEW  
 WITNESSED  
 Date/Signature  
 Industrial Testing & Inspection S.I. 14-6-2016

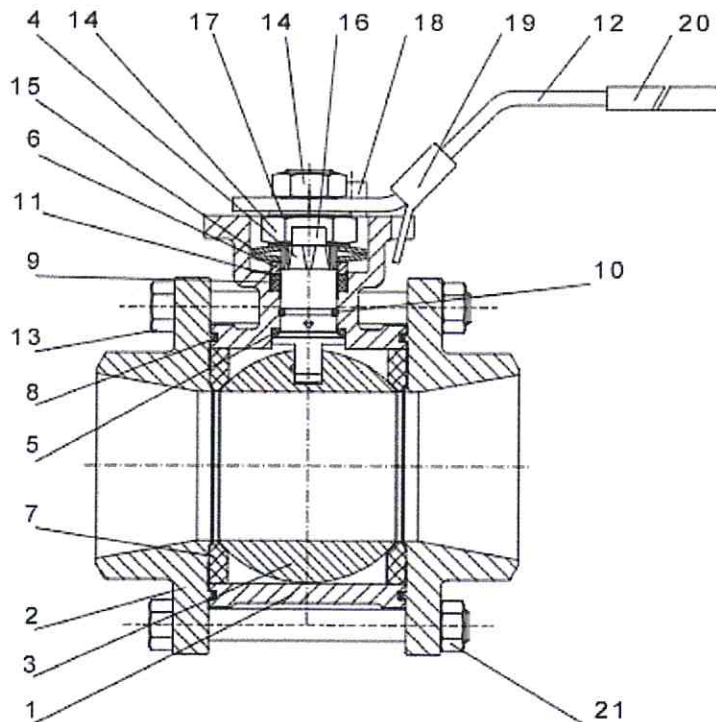
J. Meijer

Agree authority (TUV SUD)


I van Remoortere 14-6-2016



## 3 piece ball valve fig. AF20D



| No. | Description        | Material for stainless steel valve | Material for carbon steel valve |
|-----|--------------------|------------------------------------|---------------------------------|
| 1   | Body               | 1.4408 / CF8M                      | 1.0619 / A216 WCB               |
| 2   | End                | 1.4408 / CF8M<br>1.4409 / CF3M     | 1.0619 / A216 WCB               |
| 3   | Ball               | 1.4401 / 316                       | 1.4401 / 316                    |
| 4   | Stem               | 1.4401 / 316                       | 1.4401 / 316                    |
| 5   | Stem washer        | PTFE                               | PTFE                            |
| 6   | Stem seal follower | 1.4401 / 316                       | 1.4401 / 316                    |
| 7   | Seat Ring          | PTFE / RPTFE / CPTFE               | PTFE / RPTFE / CPTFE            |
| 8   | Body seal          | Graphite                           | Graphite                        |
| 9   | Stem packing       | Graphite                           | Graphite                        |
| 10  | O-Ring (optional)  | NBR / FEP                          | NBR / FEP                       |
| 11  | Stem Shim          | PTFE / RPTFE / CPTFE               | PTFE / RPTFE / CPTFE            |
| 12  | Handle             | 1.4301 / 304                       | 1.4301 / 304                    |
| 13  | Hex screw          | A2-70                              | A2-70                           |
| 14  | Stem Nut           | 1.4301 / 304                       | 1.4301 / 304                    |
| 15  | Belleville washer  | 1.4310 / 301                       | 1.4310 / 301                    |
| 16  | Safety plate       | 1.4301 / 304                       | 1.4301 / 304                    |
| 17  | Distancer ring     | 1.4301 / 304                       | 1.4301 / 304                    |
| 18  | Stop device        | 1.4301 / 304                       | 1.4301 / 304                    |
| 19  | Locking device     | 1.4301 / 304                       | 1.4301 / 304                    |
| 20  | Sleeve             | PVC                                | PVC                             |
| 21  | Hex Nut            | A2-70                              | A2-70                           |

|   |             |            |                   |
|---|-------------|------------|-------------------|
|  | Drawn       | R. Zingg   | 01.02.16          |
|   | Checked     | RIZ        | 01.02.16          |
|   | Item fig    | AF20D PN64 | DN 50 – Full Bore |
|   | Drawing no. | 1602235.01 |                   |



**ITIS B.V.**  
 Daniëlsweg 6  
 NL-4451 HP Heinkenszand  
 T + 31 113 568515  
 info@itis-nl.com  
 www.itis-nl.com

ITIS Certificate  
 201500169-C001 rev2



Industrie Service

# API607 AND ISO 10497 FIRE TEST QUALIFICATION CERTIFICATE

This certificate is to certify that the valve below has been tested in accordance with, and meets all requirements stated in API Standard 607, sixth edition September 2010; Fire test for quarter turn valves and valves with non metallic seats, and ISO 10497 third edition 2010-02-15 Testing of valves - Fire- type testing requirements

**Test valve details**

Manufacturer : Zuercher Technik AG  
 Address : Neumattstrasse 6, ch – 4450, Sissach, Switzerland  
 Nominal size : DN25 – 1”  
 Pressure rating : PN100  
 Flow direction : Bi- directional  
 Type : Floating Ball valve, Series AF20D  
 Weight : 1.9kg  
 Bore : Full Bore DN25  
 Drawing number : 1602233.01 date: 01-02-2016  
 Body material : 1.0619/A216 WCB  
 Body gasket : Graphite  
 Stud bolt/Nut material : A2-70 / A2-70  
 Ball material : 1.4401/316  
 Seat material : RPTFE  
 Stem material : 1.4401/316  
 Stem seal material : Graphite  
 Identification No. : 00169001 (by ITIS)  
 Markings on valve : Body material, heat no. and Serial number on valve body  
 Gearbox : n.a.

**Scope of other sizes, weight, pressures and materials qualified by this test.**

| Tested valve       | 7.3 Nominal Size  | 7.4 Pressure rating                 | 7.1 d (e) Weight                     |
|--------------------|---|-------------------------------------|--------------------------------------|
| NPS1<br>DN25 PN100 | NPS1 and below, 1 ¼, 1 ½ and 2<br>DN25 and below, 32, 40 and 50 | Class 600; 800; 900<br>PN100; PN150 | AF20D and valves<br>with a mass >75% |

For material qualification see paragraph 7.2 in report mentioned below.

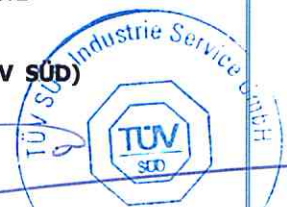
This certificate is only valid in conjunction with the full ITIS BV test report number 201500169-R001 rev2

Name operator (ITIS)

TESTED  
 REVIEW  
 WITNESSED  
 Date/Signature  
 14-6-2016  
 Industrial Testing & Inspection Services

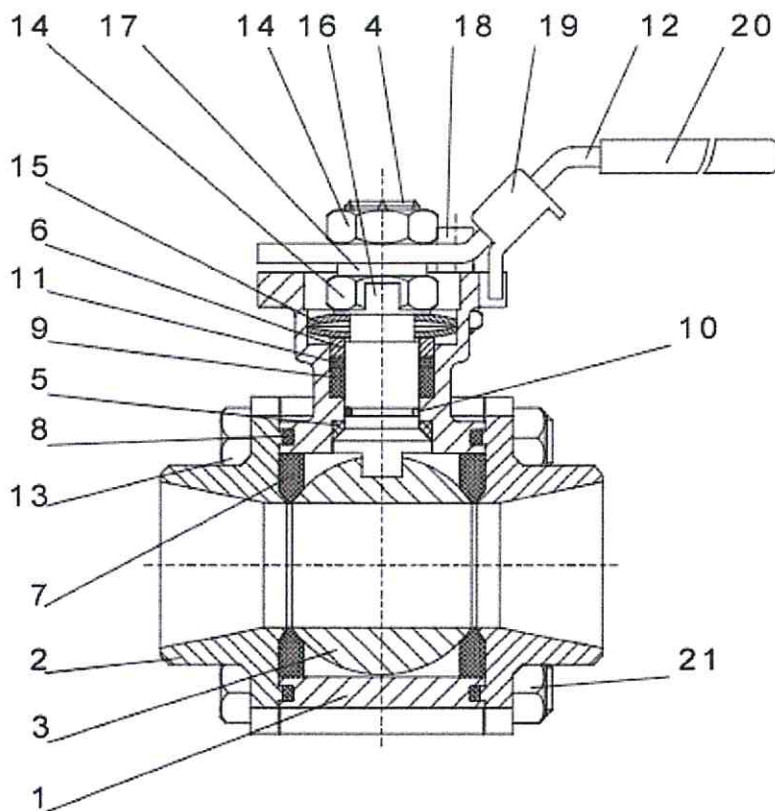
J. Meijer

Agree authority (TUV SUD)




I van Remoortere 14-6-2016

3 piece ball valve fig. AF20D



| No. | Description        | Material for carbon steel valve |
|-----|--------------------|---------------------------------|
| 1   | Body               | 1.0619 / A216 WCB               |
| 2   | End                | 1.0619 / A216 WCB               |
| 3   | Ball               | 1.4401 / 316                    |
| 4   | Stem               | 1.4401 / 316                    |
| 5   | Stem washer        | PTFE                            |
| 6   | Stem seal follower | 1.4401 / 316                    |
| 7   | Seat Ring          | PTFE / RPTFE / CPTFE            |
| 8   | Body seal          | Graphite                        |
| 9   | Stem packing       | Graphite                        |
| 10  | O-Ring (optional)  | FPM / NBR / FEP                 |
| 11  | Stem Shim          | PTFE                            |
| 12  | Handle             | 1.4301 / 304                    |
| 13  | Hex screw          | A2-70                           |
| 14  | Stem Nut           | 1.4301 / 304                    |
| 15  | Belleville washer  | 1.4310 / 301                    |
| 16  | Safety plate       | 1.4301 / 304                    |
| 17  | Distancer ring     | 1.4301 / 304                    |
| 18  | Stop device        | 1.4301 / 304                    |
| 19  | Locking device     | 1.4301 / 304                    |
| 20  | Sleeve             | PVC                             |
| 21  | Hex Nut            | A2-70                           |

|   |             |             |          |
|---|-------------|-------------|----------|
|  | Drawn       | R. Zingg    | 01.02.16 |
|   | Checked     | RIZ         | 01.02.16 |
|   | Item fig    | AF20D PN100 | DN 25-FB |
|   | Drawing no. | 1602233.01  |          |