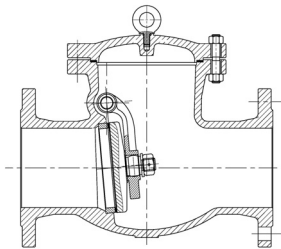


Swing check valve - Series 451

Features overview

- Body material 1.4408, 1.0619N
- Face to Face dimension acc. DIN EN 558-1
- Flange connection acc. to DIN EN 1092 Form B1
- Testing acc. to DIN EN 12266-1
- Temperature range -29°C up to 425°C for 1.0619N
and -196°C up to $+600^{\circ}\text{C}$ for 1.4408
- TA-Luft



Dimension and Material List Series 451

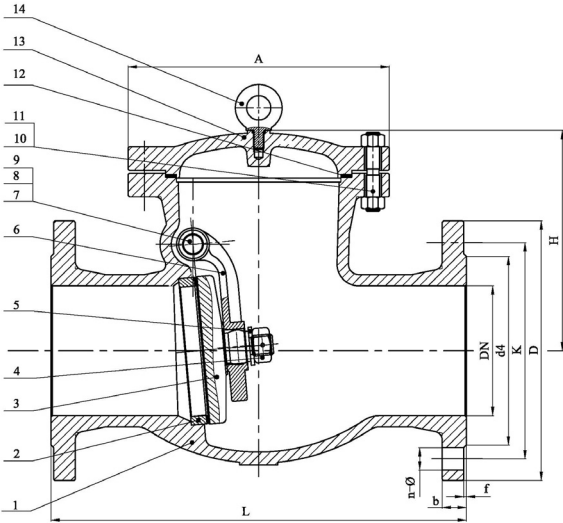


FIG.	Pressure	Material	Range
132.451	PN10	1.0619N	DN40-DN150
133.451	PN16	1.0619N	DN40-DN150
134.451	PN25	1.0619N	DN40-DN150
135.451	PN40	1.0619N	DN40-DN150
152.451	PN10	1.4408	DN40-DN150
153.451	PN16	1.4408	DN40-DN150
154.451	PN25	1.4408	DN40-DN150
155.451	PN40	1.4408	DN40-DN150

NO.	Part	Material	
		FIG. 152.451 / 153.451 / 154.451 / 155.451	FIG. 132.451 / 133.451 / 134.451 / 135.451
1	Body	1.4408	1.0619N
2	Seat	1.4408	C22.8+13Cr
3	Flap	1.4408	1.0619N+13Cr
4	Nut	A4	35
5	Gasket	1.4401	35
6	Flap lever	1.4408	1.0619N
7	Shaft	1.4401	1.4021
8	Plug	1.4401	1.4021
9	Gasket	1.4401	1.4401
10	Stud bolt	A4	1.7225(GC)
11	Nut	A4	1.1181(YK)
12	Gasket	TA-Luft Gasket	TA-Luft Gasket
13	Cover	1.4408	1.0619N
14	Bolt	A2	35

PN	DN	D	K	d4	L	h	A	n	d2	b	f	kg
10/ 16	40	150	110	88	180	135	130	4	18	18	3	10.5
	50	165	125	102	200	160	145	4	18	18	3	16.0
	65	185	145	122	240	165	180	4	18	18	3	22.0
	80	200	160	138	260	180	195	8	18	20	3	25.0
	100	220	180	158	300	210	225	8	18	20	3	37.0
	125	250	210	188	350	240	265	8	18	22	3	57.0
25	150	285	240	212	400	265	310	8	22	22	3	83.0
	65	185	145	122	290	175	185	8	18	22	3	24.0
	80	200	160	138	310	190	205	8	18	24	3	32.0
	100	235	190	162	350	220	240	8	22	24	3	46.5
	125	270	220	188	400	240	265	8	26	26	3	61.5
40	150	300	250	218	480	260	300	8	26	28	3	88.0
	40	150	110	88	200	140	145	4	18	18	3	12.5
	50	165	125	102	230	160	165	4	18	20	3	17.0
	65	185	145	122	290	175	185	8	18	22	3	24.0
	80	200	160	138	310	190	205	8	18	24	3	32.0
	100	235	190	162	350	220	240	8	22	24	3	46.5
	125	270	220	188	400	240	265	8	26	26	3	61.5
	150	300	250	218	480	260	300	8	26	28	3	88.0

Swing check valves 04/2/2017 - All data are subjects to change without notice

Dimension and Material List Series 451

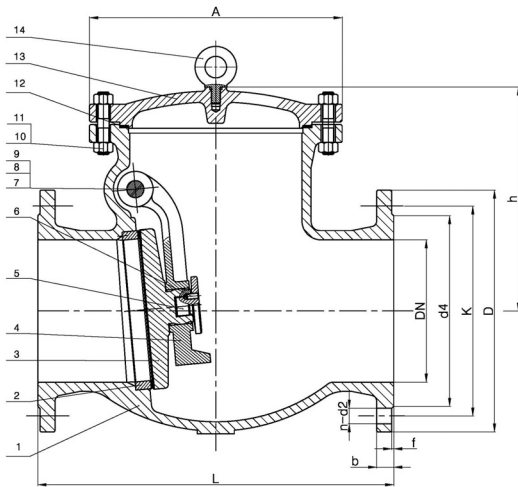


FIG.	Pressure	Material	Range
132.451	PN10	1.0619N	DN200-DN600
133.451	PN16	1.0619N	DN200-DN600
152.451	PN10	1.4408	DN200-DN600
153.451	PN16	1.4408	DN200-DN600

NO.	Part	Material	
		FIG. 152.451 / 153.451	FIG. 132.451 / 133.451
1	Body	1.4408	1.0619N
2	Seat	1.4408	C22.8+13Cr
3	Flap	1.4408	1.0619N+13Cr
4	Flap lever	1.4408	1.0619N
5	Disc nut	1.4401	35
6	Set screw	A4	1.7225(GC)
7	Shaft	1.4401	1.4021
8	Plug	1.4401	1.4021
9	Gasket	1.4401	1.4401
10	Stud bolt	A4	1.7225(GC)
11	Nut	A4	1.1181(YK)
12	Gasket	TA-Luft Gasket	TA-Luft Gasket
13	Cover	1.4408	1.0619N
14	Bolt	A2	35

PN	DN	D	K	d4	L	h	A	n	d2	b	f	kg
10	200	340	295	268	500	320	380	8	22	24	3	157.0
	250	395	350	320	600	335	425	12	22	26	3	203.0
	300	445	400	370	700	390	470	12	22	26	4	255.0
	350	505	460	430	800	--	--	16	22	26	4	--
	400	565	515	482	900	--	--	16	26	26	4	--
	500	670	620	585	1100	--	--	20	26	28	4	--
	600	780	725	685	1300	--	--	20	30	34	5	--
16	200	340	295	268	500	320	380	12	22	24	3	157.0
	250	405	355	320	600	335	425	12	26	26	3	203.0
	300	460	410	378	700	390	470	12	26	32	4	255.0
	350	520	470	438	800	--	--	16	26	30	4	--
	400	580	525	490	900	--	--	16	30	32	4	--
	500	715	650	610	1100	--	--	20	33	44	4	--
	600	840	770	725	1300	--	--	20	36	54	5	--

Swing check valves 04/2/2017 - All data are subjects to change without notice

Dimension and Material List Series 451

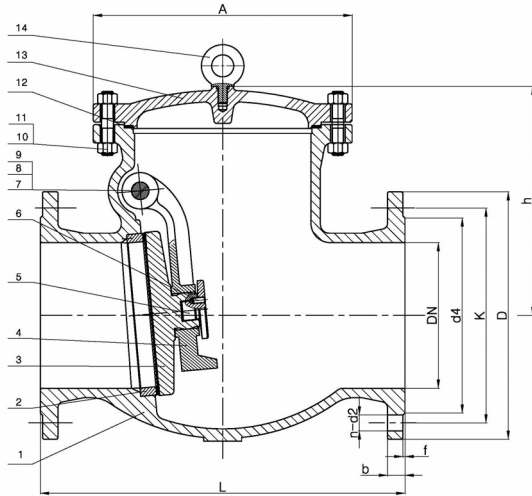


FIG.	Pressure	Material	Range
134.451	PN25	1.0619N	DN200-DN600
135.451	PN40	1.0619N	DN200-DN600
154.451	PN25	1.4408	DN200-DN600
155.451	PN40	1.4408	DN200-DN600

NO.	Part	Material	
		FIG. 154.451 / 155.451	FIG. 134.451 / 135.451
1	Body	1.4408	1.0619N
2	Seat	1.4408	C22.8+13Cr
3	Flap	1.4408	1.0619N+13Cr
4	Flap lever	1.4408	1.0619N
5	Disc nut	1.4401	35
6	Set screw	A4	1.7225(GC)
7	Shaft	1.4401	1.4021
8	Plug	1.4401	1.4021
9	Gasket	1.4401	1.4401
10	Stud bolt	A4	1.7225(GC)
11	Nut	A4	1.1181(YK)
12	Gasket	TA-Luft Gasket	TA-Luft Gasket
13	Cover	1.4408	1.0619N
14	Bolt	A2	35

PN	DN	D	K	d4	L	h	A	n	d2	b	f	kg
25	200	360	310	278	600	350	380	12	26	30	3	170.5
	250	425	370	335	730	370	410	12	30	32	3	216.0
	300	485	430	395	850	440	480	16	30	34	4	258.0
	350	555	490	450	980	--	--	16	33	38	4	--
	400	620	550	505	1100	--	--	16	36	40	4	--
	500	730	660	615	1250	--	--	20	36	48	4	--
	600	845	770	720	1450	--	--	20	39	58	5	--
40	200	375	320	285	600	350	380	12	30	34	3	170.0
	250	450	385	345	730	370	410	12	33	38	3	216.0
	300	515	450	410	850	440	480	16	33	42	4	327.0
	350	580	510	465	980	--	--	16	36	46	4	--
	400	660	585	535	1100	--	--	16	39	50	4	--
	500	755	670	615	1250	--	--	20	42	57	4	--
	600	890	795	735	1450	--	--	20	48	72	5	--

Swing check valves 04/2/2017 - All data are subjects to change without notice