



JSB Series V-Segment Valve Manual



1. Please read this manual before installation or servicing.
2. Before installing or servicing, please ensure the line pressure has been relieved and any hazardous fluid has been drained or purged from the system.



1. Please do not use the valve exceeding its designed pressure range.
2. Please do not use the valve exceeding its designed temperature range.

RECEPTION

Check following points when receiving the goods.

1. Check if there is any break on the packing. All valves should be well packed before shipment in order to prevent from any possible damage caused during the transportation.
2. Check if the valves are correct specification consisted with the order stated.

STORAGE

Please follow below points to check valves in case the valves will not be installed immediately.

1. The valves should be stored in dry and clean indoor.
2. Check if the valve is in CLOSED position for bare shaft or manual type in order to avoid the seal deformation. For the automated type, the valve position will be set according to the requirement of actuator.
3. The surface of valve ends should be greased properly for the protection.
4. The ports of valve should be well sealed by plastic caps or tapes for avoiding any dirt entering valve to damage inner parts.





JDV CONTROL VALVES CO., LTD.

A SPECIALIST IN DESIGN & MANUFACTURE OF VALVES

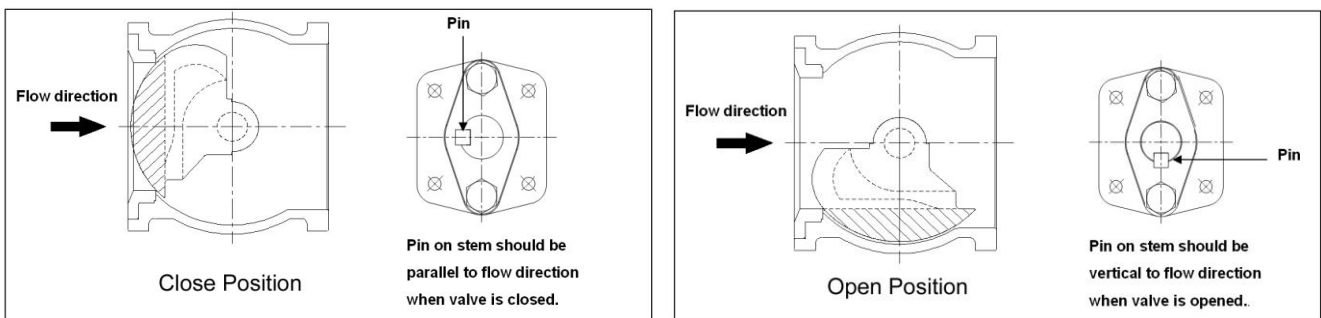
INSTALLATION & OPERATION

1. Before installing, check all valves and mating flanges to ensure gasket surfaces are free from defects.
2. Make sure all valves and lines are clean without any dirt or debris, which may cause valve seals damaged.
3. Checking the piping is the alignment with appropriate supports. It is not recommended to install valves to improperly positioned pipes.
4. Follow the flow arrows of valve body for making sure the valve will be installed in the correct direction of pipeline. Before installing, inspect the valve by visual for avoiding any damages.
5. Make sure the valve is in OPEN position for protecting Seat Ring from damage during the installation.
6. Install the valve to the pipeline and tighten bolts properly. Notice that the over tightening of any side may cause the leakage.

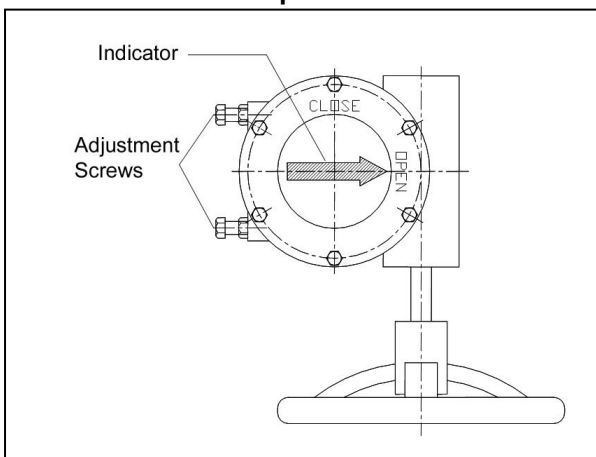


For Soft-Seat type, please do not overturn the Segment when operating the valve in order to avoid the Seat being scratched by the Segment. If this happens, please follow the Disassembling and Assembling instructions to remove the Cover and Seat, turn the Segment back to right position, then assemble the valve parts back.

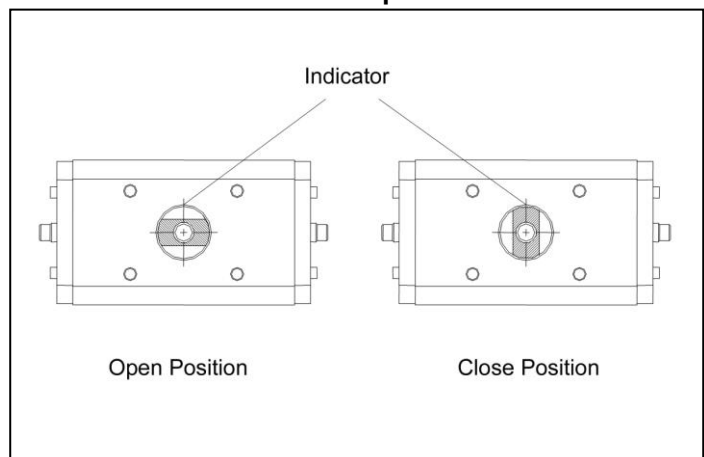
< Bare Shaft >



< Gear Operation >



< Actuator Operation >



NO-2-2, LANE 292, SHIN NUNG RD., SHIN WU TOWN, TAOYUAN HSIEN, TAIWAN
 TEL: 886-3-4203366 FAX: 886-3-4202268 E-mail: sales@jdv.com.tw Http://www.jdv.com.tw



JDV CONTROL VALVES CO., LTD.

A SPECIALIST IN DESIGN & MANUFACTURE OF VALVES

GENERAL MAINTENANCE

It is recommended to observe the valves periodically for ensuring the system under the proper performance. Please follow the instructions and refer the parts list as below if it is necessary to disassemble the valve.

DISASSEMBLING

For Soft-Seated Type

1. Before removing the valve from pipeline, ensure the line pressure and dangerous media have been relieved. Also make sure the temperature in pipeline and valve has been cooled down to be safe.
2. Turn the valve to the CLOSE position.
3. Loose the Bolts (8), take out the Cap (7) and Seat (6A) from Body (1).
4. Remove the Gland Bolts (14), Cover Bolts (17), and End Cover (5). Tap the Stem (3) and Shaft (4) before taking them out from the body (1), then take out the Segment (2).

For Metal-Seated Type

1. Before disassembling the valve from pipeline, ensure the line pressure and dangerous media have been relieved. Also make sure the temperature in pipeline and valve has been cooled down to be safe.
2. Turn the valve to the CLOSE position.
3. Remove the valve from pipeline.
4. Loose the Bolts (8), take out the Cap (7), Spring (6F), Seat Gland (6E), Packing (6D), Seat (6C), and Seat Support (6B) from Body (1).
5. Remove the Gland Bolts (14), Cover Bolts (17), and End Cover (5). Tap the Stem (3) and Shaft (4) before taking them out from the body (1), then take out the Segment (2).



NO-2-2, LANE 292, SHIN NUNG RD., SHIN WU TOWN, TAOYUAN HSIEN, TAIWAN
TEL: 886-3-4203366 FAX: 886-3-4202268 E-mail: sales@jdv.com.tw Http://www.jdv.com.tw



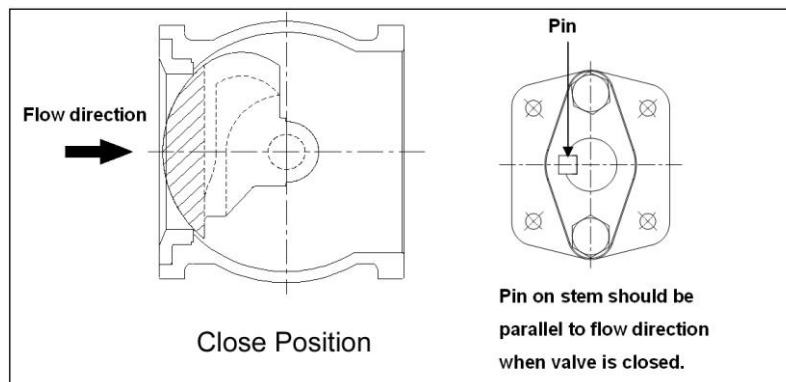
JDV CONTROL VALVES CO., LTD.

A SPECIALIST IN DESIGN & MANUFACTURE OF VALVES

ASSEMBLING

For Soft-Seated Type

1. Scrap the packing remained on Segment (2) and Cap (7) to ensure the sealing surface in completely clean.
2. Insert the Segment (2), Shaft (4), and Stem (3) into Body (1). Pay attention when inserting the Segment (2) and Stem (3). The valve should be installed in CLOSE position. See figure below.



3. Insert the Seat (6A) and End Cover (5) into Body (1).
4. Tighten Cover Bolts (17) and Bolts (8) in diagonal with even strength. Tighten the Gland Bolts (14).
5. Check again if the valve is assembled correctly and in CLOSE position.

For Metal-Seated Type

1. Same as Soft-Seated Type.
2. Same as Soft-Seated Type.
3. Insert the Seat Support (6B), Seat (6C), Packing (6D), Seat Gland (6E), Spring (6F) and Cap (7) into Body (1).
4. Tighten Cover Bolts (17) and Bolts (8) in diagonal with even strength. Tighten the Gland Bolts (14).
5. Check again if the valve is assembled correctly and in CLOSE position.



NO-2-2, LANE 292, SHIN NUNG RD., SHIN WU TOWN, TAOYUAN HSIEN, TAIWAN
TEL: 886-3-4203366 FAX: 886-3-4202268 E-mail: sales@jdv.com.tw Http://www.jdv.com.tw



JDV CONTROL VALVES CO., LTD.

A SPECIALIST IN DESIGN & MANUFACTURE OF VALVES

TROUBLE SHOOTING

Area	Description	Solution	
		Soft-Seated	Metal-Seated
Inner	Leakage from upstream bore	<ol style="list-style-type: none"> 1. Turn the valve to half open position to check if there is any damage on the contacted surface of Segment (2) and seat (6A). 2. If no, then the leakage may be caused by the wear of Seat after long-time operation. Replace the Seat (6A). 3. If yes, replace damaged Segment (2) or Seat (6A). 	<ol style="list-style-type: none"> 1. Turn the valve to half open position to check if there is any damage on the contacted surface of Segment (2) and seat (6C). 2. If yes, replace damaged Segment (2) or Seat (6C). Packing (6D) is necessary to be replaced as long as the valve is disassembled. 3. If no, please contact your local agent or JDV.
		Outer	Leakage from stem
Leakage from bottom	Replace the Cover Gasket (16).		Replace the Cover Gasket (16).

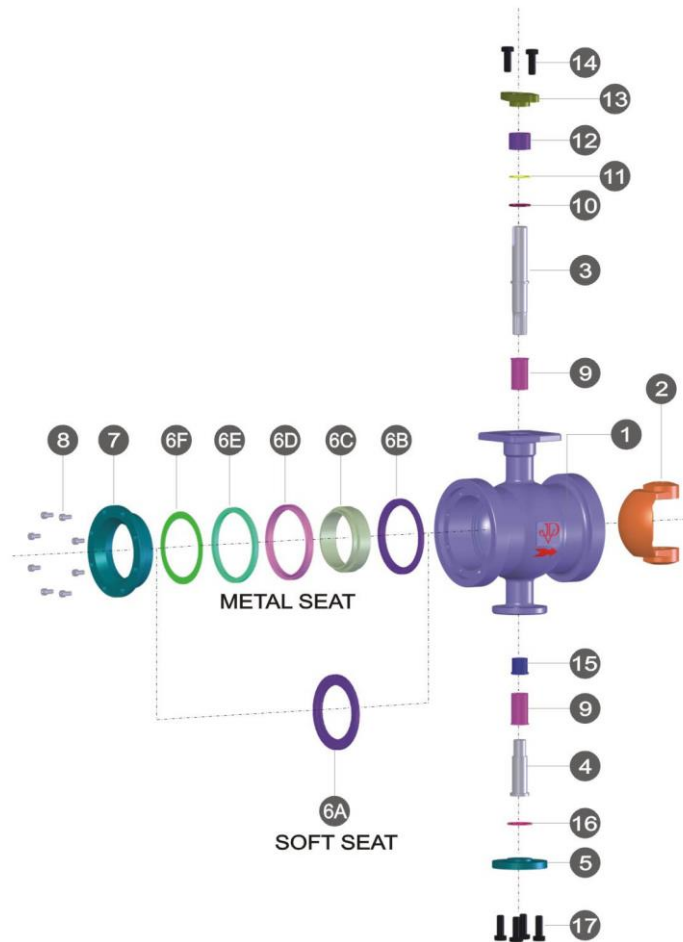


NO-2-2, LANE 292, SHIN NUNG RD., SHIN WU TOWN, TAOYUAN HSIEN, TAIWAN
 TEL: 886-3-4203366 FAX: 886-3-4202268 E-mail: sales@jdv.com.tw Http://www.jdv.com.tw



JDV CONTROL VALVES CO., LTD.

A SPECIALIST IN DESIGN & MANUFACTURE OF VALVES



PARTS & MATERIALS

NO		NAME	MATERIAL		
	1	BODY	WCB	CF8	CF8M
	2-1	SEGMENT - SOFT SEAT	CF8		
	2-2	SEGMENT - METAL SEAT	CF8+HCr		
	3	STEM	SUS 304		
	4	SHAFT	SUS 304		
	5	END COVER	WCB	CF8	CF8M
SOFT SEAT	6A	SEAT	15%R-PTFE		
METAL SEAT	6B	SEAT SUPPORT	SUS 304		
	6C	SEAT	SUS 304+STELLITE		
	6D	PACKING	PTFE/GRAPHITE		
	6E	SEAT GLAND	SUS 304		
	6F	SPRING	INCONEL X750		
	7	CAP	CF8		
	8	BOLT	SUS 304		
	9	THRUST BEARING	SUS316+TFE		
	10	WASHER	PTFE		
	11	WASHER	SUS 316		
	12	GLAND PACKING	PTFE/GRAPHITE		
	13	GLAND	SCS13		
	14	GLAND BOLT	SUS304		
	15	SUPPORT	SUS316		
	16	COVER GASKET	PTFE/GRAPHITE		
	17	COVER BOLT	SUS304		



NO-2-2, LANE 292, SHIN NUNG RD., SHIN WU TOWN, TAOYUAN HSIEN, TAIWAN
 TEL: 886-3-4203366 FAX: 886-3-4202268 E-mail: sales@jdv.com.tw Http://www.jdv.com.tw