

Stem Extensions

Types 1621D, 1624

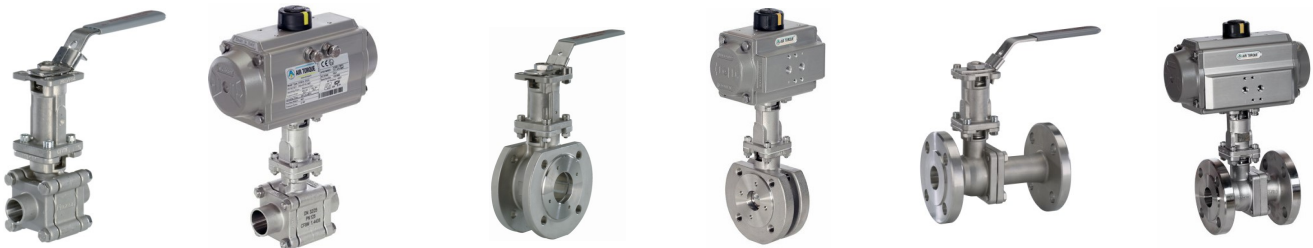
Suitable for Ball Valves of Series and Types
A20D, AF20D, 80D, AF90D, AF94D, AF95D, AF96D



Stem extension type 1621D with casted stainless steel body and internal mounted separate stem. Design with ISO top flange according to EN ISO 5211 for an actuator assembly. With prepared leakage monitoring point in the body.



Stem extension type 1624 in stainless steel with stop plate, extension rotate.



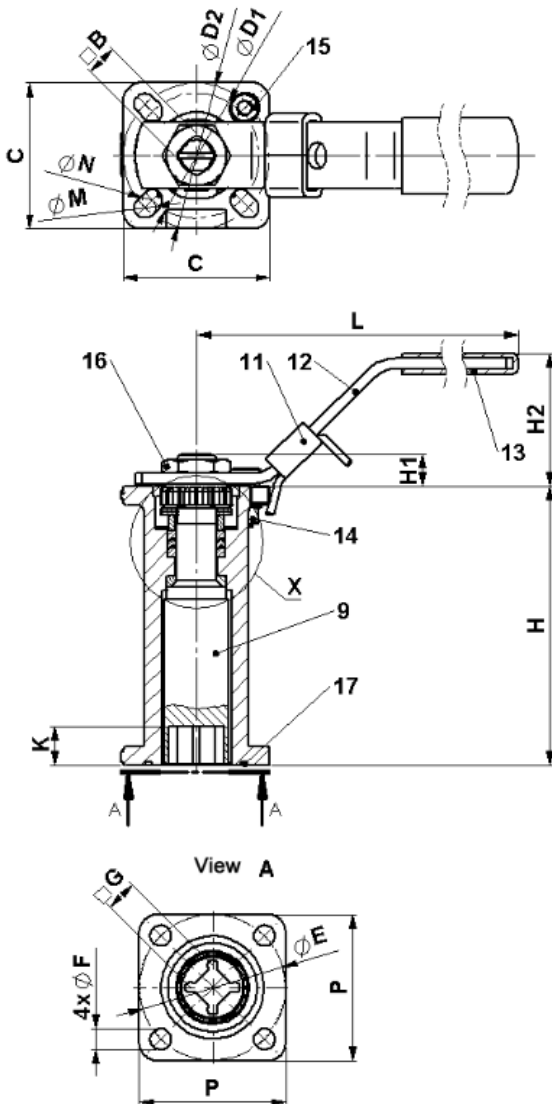
Type 1621D, for Direct mounting of an actuator

Suitable to DN	dimensions in mm																
	B	C	Ø D1	Ø D2	Ø E	Ø F	G	H	H1	H2	K	L	Ø M	Ø N	P	ISO Top	Weight
08 - 20 1/4" - 3/4"	9	42	36	42	42	6	9	80	8,6	34	10,5	140	6	6	42	F03/04	0.5 kg
25 - 32 1" - 1 1/4"	11	50	40	50	50	7	11	90	10,4	39	12	165	7	6	50	F04/05	0.9 kg
40 - 50 1 1/2" - 2"	14	70	50	70	70	9	14	100	13,4	49	16	220	9	7	70	F05/07	1.8 kg
65 - 100 2 1/2" - 4"	17	92	70	102	102	12	17	110	16,8	60	20	520	11	9	92	F07/10	3.3 kg
125 - 150 5" - 6"	Coming soon																

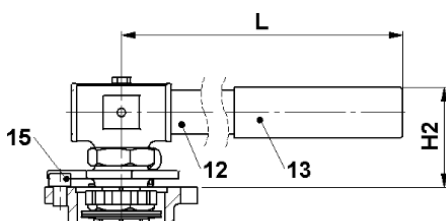
Stem Extension

Type 1621D

Hand lever for DN 08 - DN 50 :



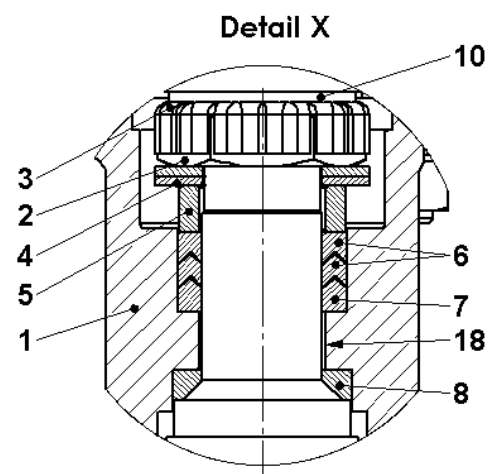
Hand lever for DN 65 - DN 100 :



Item No.	Part description	Material
1	Body	1.4408
2	Stem nut	1.4301
3	Safety cap	1.4301
4	Belleville washer	1.4310
5	Pressure ring	1.4401
6	V-Packing	PTFE-graphite
7	V-Packing	PTFE-glasfibre
8	Stem washer	PTFE-glasfibre
9	Stem	1.4401
10	Distance ring	1.4301
11	Locking device	1.4301
12	Handle / Lever	1.4301
13	Handle sleeve	PVC/PE
14	Stop pin nut	A2-70
15	Stop pin	1.4301
16	Handle nut	A2-70
17*	Gasket (optional)	PTFE-glasfibre
18**	O-ring (optional)	Viton©

* Item No. 17 only necessary, if leakage monitoring is required

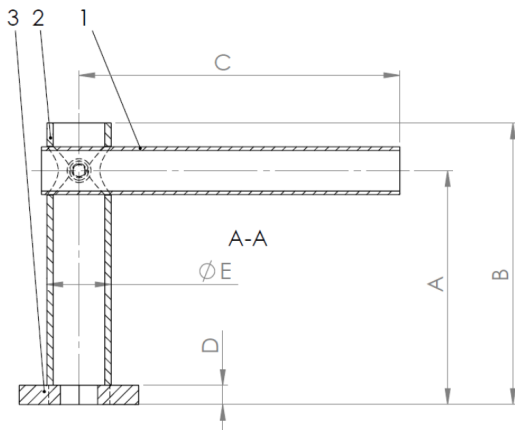
** Item No. 18 only for required additional O-ring



Stem Extension

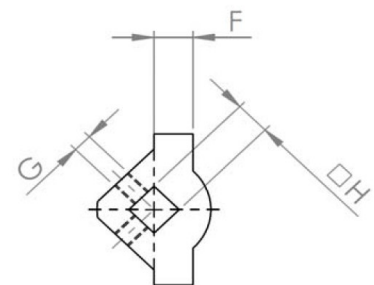
Type 1624

Type 1624, simple execution, only with hand lever

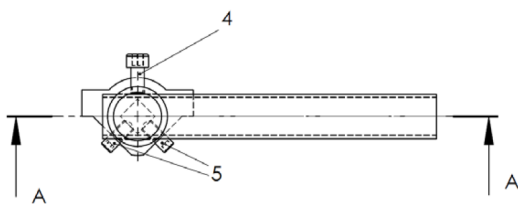
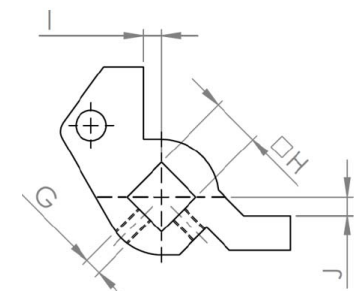


Item Nr.	Part description	Material
1	Handle / lever	1.4307
2	Extension	1.4307
3	Stopp plate	1.4307
4	Screw M6 x 12	1.4307
5	Screw M6 x 16	1.4307

Stopp plate for DN 10—DN 50



Stopp plate for DN 65—DN 100



Suitable for DN	dimension in mm										
	A	B	C	D	E	F	G	H	I	J	weight
10 - 20 1/4" - 3/4"	98	118	130	8	26.9	9.4	M6	9	-	-	0.6 kg
25 - 32 1" - 1 1/4"	98	118	135	8	26.9	12	M6	11	-	-	0.6 kg
40 - 50 1 1/2" - 2"	123	143	235	8	33.7	16	M6	14	-	-	0.7 kg
65 - 100 2 1/2" - 4"	153	178	400	8	33.7	-	M6	17	6.4	6.4	0.8 kg

Stem Extensions

Types 1621D, 1624

How to order code / codification :

Code 1	Body material, Types
1621D	Stem extension Type 1621D , with direct mounting for actuator, casted stainless steel, 1.4408
1624	Stem extension Type 1624, without direct mounting, only with hand lever, stainless steel 1.4307

Code 3	Options
X	Special

Code 2	Dimension
Suitable to DN	Full bore
08 - 20 1/4" - 3/4"	008020
25 - 32 1" - 1 1/4"	025032
40 - 50 1 1/2" - 2"	040050
65 - 100 2 1/2" - 4"	065100
125 - 150 5" - 6"	In progress

Sample:

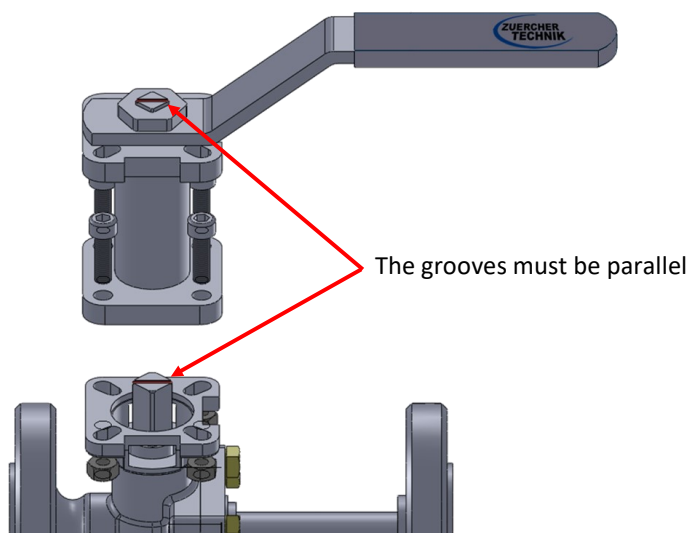
Stem extension with direct mounting for actuator, suitable for ball valve types Typ A20D, 80D, AF90D, AF94D, AF95D for dimension DN25

Code 1	Code 2	Code 3
1621D.	025032	



Remark: Further adders, e.g. ".J" are internally used as per ERP-system.

Mounting



Take care that, during assembly of the stem extension 1621D, the groove on the stem of the stem extension is parallel with the groove on the stem of the ball valve.