

Application

The manually, pneumatically or electrically actuated MVH valve is a process line accessory to be used for clear or viscous liquid products from group 2. It is designed for use in pigging systems, in the food, chemical, pharmaceutical, cosmetics, biotechnology industries as well as all other sectors requiring full bore sanitary valves.

Operating principle

A perforated plug rotating in a multiway body guides the passage of the fluid. Compression rings placed in each passage orifice are set on Teflon (PTFE) rings to ensure that the routes remain completely sealed. Sealing of the plug is ensured by two upper and lower O-ring seals.

The MVH valve can be driven by a handle, by a single-action pneumatic actuator with a spring return or by a double-action actuator. As an optional extra, a sensor box placed in the upper part of the actuator indicates the position of the plug.

The MVH valve can also be operated by an electric actuator (please consult us for details).

Standard definition

The MVH valve is a process line accessory in accordance with European pressure equipment directive 97/23/CE paragraph 3.3. It comprises a solid stainless steel body equipped with three 120° pipework connection orifices. The stainless steel plug is machined to allow the passage of a pigging system according to two positions of the communication outlets. The stainless steel handle or actuator acts on the plug.

The standard version of the MVH valve is equipped with SMS male threaded ends.

Material

Components in contact with the product being conveyed: Stainless steel 1.4404 (316L).

Other components: 1.4404 (316L).

Seal: Teflon (PTFE) rings.

Gaskets: EPDM.

Finish: semi-bright.

Sizes

For SMS pipes: 25mm (1"), 38mm (1 1/2"), 51mm (2"), 63.5mm (2 1/2"), 76.1mm (3") and 104mm (4").

For DIN 11851 pipes: NW 25, NW 32, NW 40, NW 50, NW 65, NW 80, NW 100, NW 125 and NW 150.

Technical characteristics

Operating temperature range: 0 to 80°C.

Max. operating pressure: 600 kPa (6 bars).

Min. operating pressure: atmospheric pressure.

Position indication

Position switch:

Max. voltage: Ue = 250 Vdc Ue = 240 Vac.

Max. amperage: Ie = 0.27 A Ie = 3 A.

Proximity sensor:

Voltage : 12 - 24 Vdc PNP / NPN "F"/"O" programmable.

Amperage: 0 to 200 mA.

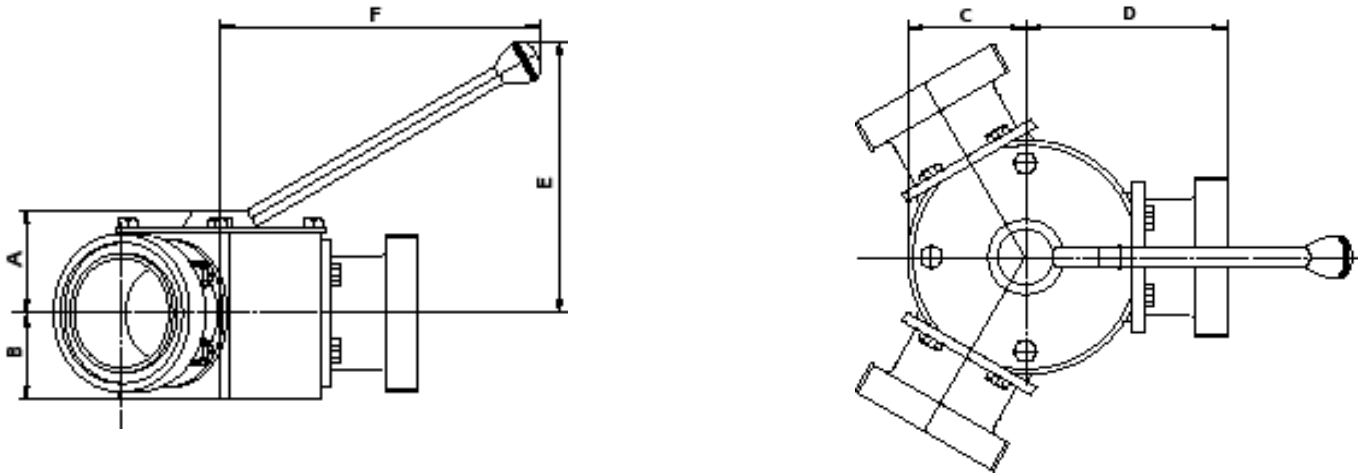
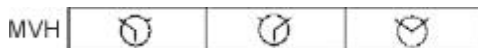


Table of dimensions (mm)

Manual MVH valve (consult us for MVH valves equipped with pneumatic or electric actuators)

Tailles	25mm	38mm	51mm	63,5mm	76,1mm	104mm	NW25	NW32	NW40	NW50	NW65	NW80	NW100
A	34	49	57,5	65,5	78,5	89	34	40,5	49	57,5	65,5	78,5	89
B	29,5	43	50	58	67,5	81,5	29,5	35,5	43	50	58	67,5	81,5
C	37	54,5	65	79	92	110	37	44	54,5	65	79	92	110
D	78	96,2	107	123	139,7	160	78	78	96,2	107	117	139,7	160
E	115	155	155	198	250	265	115	101	155	155	198	250	265
F	135	160	205	265	295	295	135	146	160	205	265	295	295
Weight (kg)													

Choice of versions



Options

- A) Clamps or flanges, depending on defined standard.
- B) Gaskets in Nitrile, FPM (VITON equivalent), PTFE encapsulated silicone, KALREZ, silicone.
- C) Hot water or steam-heating envelope.
- D) Position sensors.
- E) Limit stop for manual valve.
- F) Other materials: AISI 316 Ti, URANUS B6, etc. (on request).
- G) Reinforced cleaning for full sanitation.
- Z) Special designs on request.

When ordering, please provide the following information:

- Size.
- Version: manual, pneumatic or electric.
- Type of connections, if other than standard.
- Type of actuator.
- Options desired.

Note :

For further details, refer to the MVH multiway valve spare parts catalogue and instruction manual.

We reserve the right to modify our products without notice, including those for which orders have already been placed.

SERVINOX

7, avenue Georges Politzer - 78197 Trappes cedex - France

Tél. : + 33 (0)1 30 16 15 00 - Fax : +33 (0)1 30 16 15 01

Email : mail@servinox.com - Homepage : <http://www.servinox.com>

MVH 02 D GB