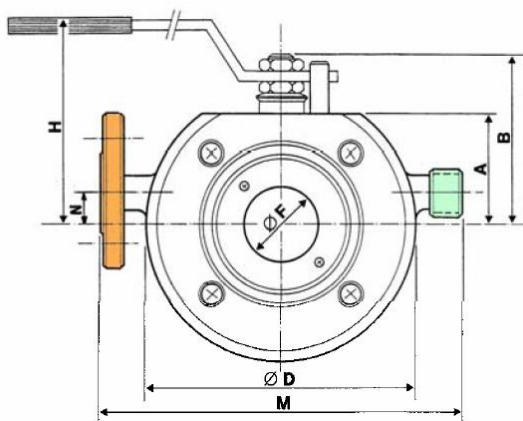
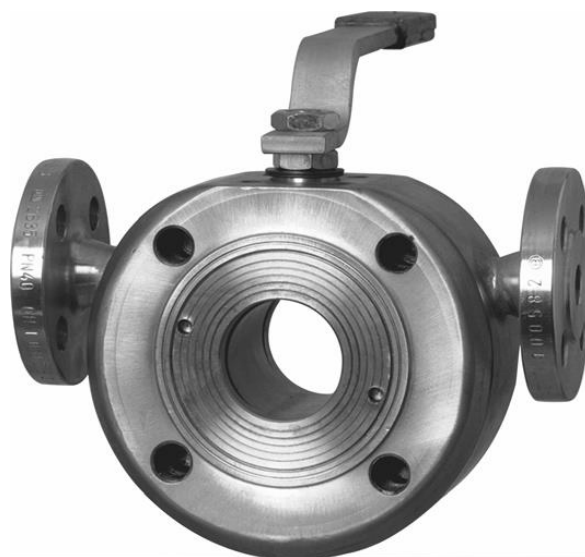


Wafer-Ball Valve Type 120 with Heating Jacket

Specification	
Full port, antistatic, FireSafe, stem anti blowout, ISO Top Flange, Hand lever	
Type	120-ETE
Material	AISI 316 / PTFE
Pressure class	PN 16 / 40



Options	
Pneumatical or electrical actuator	Other materials other sizes
Microswitches or positioners	High temperature and high pressure

DN / PN	Face to face	F	A	B	H	D	Heating Jacket			
							flanged		IG-BSP	
							M	N	M	N
15 / 40	40	14	33	51	64	114	180	18	180	18
20 / 40	40	20	41	64	78	124	190	18	190	28
25 / 40	50	25	45	69	84	134	220	29	190	33
32 / 40	55	32	55	86	121	154	230	35	210	35
40 / 40	65	38	59	90	125	164	230	45	230	45
50 / 40	80	49	69	101	126	174	250	45	250	45
65 / 16	108	65	84	126	150	204	270	60	270	60
65 / 40	108	65	84	126	150	204	270	60	270	60
80 / 40	118	73	95	132	158	224	300	65	300	65
100 / 16	152	96	108	165	178	244	340	85	340	85

dimensions in mm (Tolerances for M und N +/-3)

Technical changes reserved