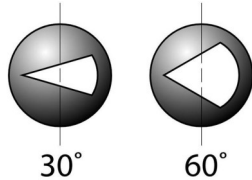


## V-port balls



Ideal for flow control, suitable for ball valve types A20D, AF90D, AF94D and AF95D.

**Material:** Stainless steel 1.4401/CF8M, hard chrome

**V-port:** 30° and 60°

**For sizes:** DN10 — DN100 (3/8" - 4")

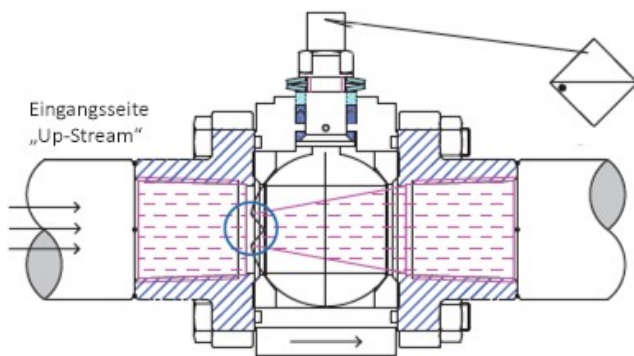
### Kv-value in m<sup>3</sup>/h

Size	Type V °	0%	15%	20%	30%	40%	50%	60%	70%	80%	90%	100%
DN 10 FB	30	0.0	0.0	0.0	0.0	0.1	0.1	0.2	0.4	0.5	0.7	0.9
DN 15 RB	60	0.0	0.0	0.0	0.1	0.1	0.2	0.5	0.7	1.0	1.4	1.9
DN 15 FB	30	0.0	0.1	0.1	0.2	0.3	0.4	0.7	0.9	1.4	1.9	2.2
DN 20 RB	60	0.0	0.1	0.1	0.3	0.4	0.8	1.2	1.7	2.8	3.7	5.1
DN 20 FB	30	0.0	0.1	0.2	0.4	0.6	0.9	1.5	2.0	2.8	3.8	4.6
DN 25 RB	60	0.0	0.1	0.2	0.6	0.9	1.4	2.4	3.4	5.5	7.7	10.2
DN 25 FB	30	0.0	0.1	0.3	0.7	1.1	2.0	3.0	4.3	7.2	8.3	8.5
DN 32 RB	60	0.0	0.2	0.3	0.9	1.5	2.9	4.5	6.7	10.5	13.0	17.9
DN 32 FB	30	0.0	0.2	0.3	0.9	1.7	3.1	4.7	6.8	8.5	11.1	12.8
DN 40 RB	60	0.0	0.2	0.5	1.5	2.6	4.7	8.1	10.9	16.2	22.1	33.2
DN 40 FB	30	0.0	0.3	0.5	1.4	2.6	4.3	6.4	9.4	11.9	14.5	17.0
DN 50 RB	60	0.0	0.3	0.7	2.1	3.4	6.8	11.1	16.2	23.0	34.0	44.2
DN 50 FB	30	0.0	0.3	1.0	3.2	5.1	8.5	12.8	19.6	26.4	36.6	51.0
DN 65 RB	60	0.0	0.3	1.3	3.9	7.7	14.0	23.0	33.2	46.8	70.6	93.5
DN 65 FB	30	0.0	0.3	0.9	3.4	6.8	10.2	15.3	23.8	31.5	52.7	63.8
DN 80 RB	60	0.0	0.3	1.3	4.3	8.5	17.9	28.9	45.1	63.8	87.6	127.5
DN 80 FB	30	0.0	0.4	1.0	3.4	6.8	11.9	19.6	28.1	39.1	55.3	69.7
DN 100 RB	60	0.0	0.4	2.1	5.1	11.9	21.3	34.0	55.3	77.4	108.8	140.3
DN 100 FB	30	0.0	0.5	1.7	5.1	12.8	24.7	40.8	60.4	85.0	110.5	135.2
	60	0.0	0.6	2.6	9.4	21.3	34.0	50.2	76.5	119.9	180.2	302.6

## V-port balls for types A20D, AF90D, AF94D, AF95D

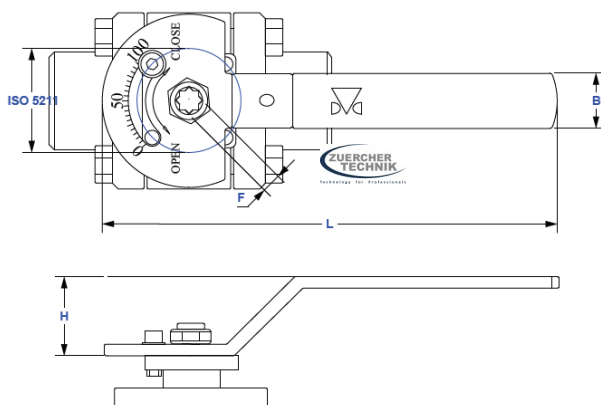
### Installation instructions:

When you mount a V-port ball valve it is of great importance that the V-notch opens into the medium flow “up streams”. Please look at illustration. Ball valves delivered with V-notch from Zuercher Technik are all marked on top of the stem. That way you can identify which way the V-notch is placed inside the ball valve. On the valve body a flow arrow indicates which way is the correct flow direction. It is important that the ball is placed correctly inside the ball valve, please be aware of this during service or assembling/disassembling.

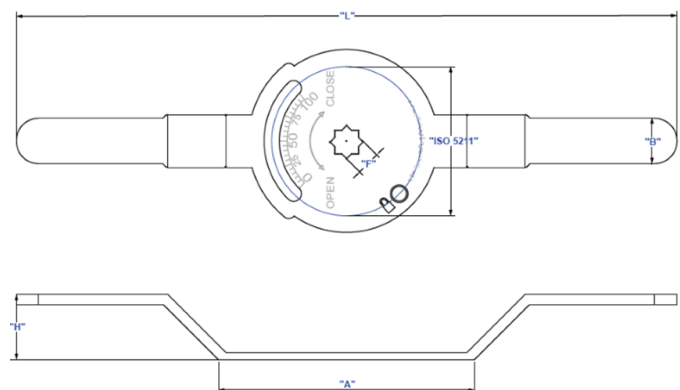


### Multi-positioning, lockable hand lever

For sizes DN 15 RB—DN 65 RB:



For sizes DN 80 RB—DN 100 FB:



Size RB	A (mm)	H (mm)	F (mm)	B (mm)	L (mm)	ISO 5211
DN15 - DN25	-	25	9	19	161	F03
DN32 - DN40	-	30	11	22	203	F05
DN50 - DN65	-	32	14	25	237	F07
DN80 - DN100	162	57	17	31	470	F10