

Technische Dokumentation Technical Documentation



XOMOX **Fully Lined Check Valves**



Table of Content

Ball Check Valve	Type B201 (DIN) B202 (ASME) B203 (ASME)	Page 3
Ball Check Valve Y Form	Type B101 / B102 /B103	Page 7
Piston Check Valve	Type C201 (DIN) C202 (ASME) C203(JIS)	Page 8
Butterfly Check Valve	Type 170	Page 11

XOMOX Fully Lined Ball Check Valve, Type B201 (DIN) B202 (ASME) B203 (JIS)



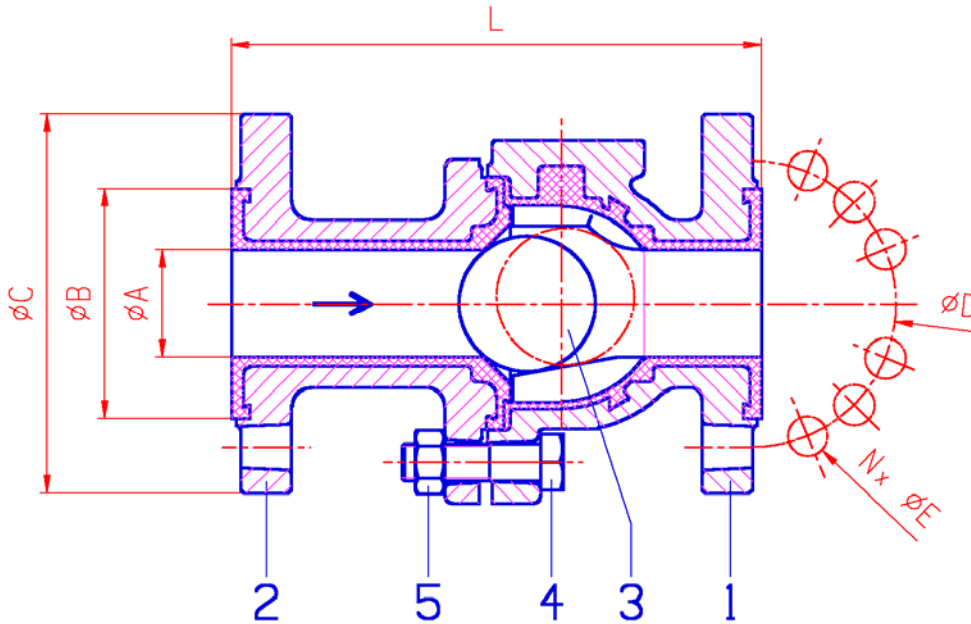
Design Features & Benefits

- Robust, two-piece body design in ductile iron EN-JS1049
- RAL 2009 , FV7133 , AY-PUR-coated body prevents external corrosion
- Excellent diffusion and corrosion resistance due to virgin fluorocarbon, locked-in resins (high-quality PFA, PFA-AS, ETFE or PVDF lining materials)
- Locked-in linings by special grooves in the body castings
- Prevent any backflow of process media within the pipe system
- Reliable and multi-purpose safety devices with long life-time
- Suitable for horizontal and vertical mounting even at low differential pressures
- Exact ball guidance at valve body lining guarantees that ball rolls into the seat due to gravitation.
- More economical than Y-types
- Self-cleaning effect due to permanent ball rotation, resistance against solid particles
- Low space requirements
- Maximal operating pressure: PVDF 120°C, ETFE 150°C, PFA: 200°C
- Tightness check: EN 12266-1 Leakage rate C

Registered patent 297 08 655.3

Applied / registered for European / international patents

Technical Details



Dimensional Chart B201 (DIN version)

DN	A	B	C	D	N x E	L	Weight in kg	Opening Pressure Vertical Position	Kv values
15	15	43	95	65	4 x 14	130	4.1	19 mbar	0.68 m ³ /h
20	20	53	105	75	4 x 14	150	5.2	11 mbar	0.95 m ³ /h
25	23	63	115	85	4 x 14	160	5.2	9 mbar	1.93 m ³ /h
32	29	74	140	100	4 x 18	180	6.0	9 mbar	On request
40	36	84	150	110	4 x 18	200	10.7	12 mbar	43 m ³ /h
50	47	100	165	125	4 x 18	230	13.3	12 mbar	75 m ³ /h
65	60	119	185	145	4 x 18	290	28	25 mbar	On request
80	78	134	200	160	8 x 18	310	31	22 mbar	203 m ³ /h
100	95	154	220	180	8 x 18	350	47	32 mbar	227.5 m ³ /h
150	145	210	286	240	8 x 18	480	86	37 mbar	261.5 m ³ /h

Dimensional Chart B202 (ASME version)

NPS	A	B	C	D	N x E	L	Weight in kg	Opening Pressure Vertical Position	Kv values
½"	15	40	89	60	4 x 15,9	130	4,05	19 mbar	0,68 m ³ /h
¾"	20	50	98	69	4 x 15,9	150	5,15	11 mbar	0,95 m ³ /h
1"	23	51	108	79	4 x 15,9	152,4	5,15	9 mbar	1,93 m ³ /h
--	--	--	--	--	--	--	--	--	--
1½"	36	73	127	98	4 x 15,9	178	10,65	12 mbar	43 m ³ /h
2"	47	92	152	120	4 x 19	203	13,30	12 mbar	75 m ³ /h
--	--	--	--	--	--	--	--	--	--
3"	78	125	191	152	4 x 19	241	31	22 mbar	203 m ³ /h
4"	95	157	229	190,5	8 x 19	292	47	32 mbar	227,5 m ³ /h
6"	145	210	279	241	8 x 22,2	356	86	37 mbar	261,5 m ³ /h

Dimensional Chart B203 (JIS version)

DN	A	B	C	D	N x E	L	Weight in kg	Opening Pressure Vertical Position	Kv values
15	15	43	95	70	4 x 15	130	4.1	19 mbar	0.68 m ³ /h
20	20	53	105	75	4 x 15	150	5.2	11 mbar	0.95 m ³ /h
25	23	63	115	90	4 x 19	160	5.2	9 mbar	1.93 m ³ /h
32	29	74	140	100	4 x 19	180	6.0	9 mbar	On request
40	36	84	150	105	4 x 19	200	10.7	12 mbar	43 m ³ /h
50	47	100	165	120	4 x 19	230	13.3	12 mbar	75 m ³ /h
65	60	119	185	140	4 x 19	290	28	25 mbar	On request
80	78	134	200	160	8 x 19	310	31	22 mbar	203 m ³ /h
100	95	154	220	175	8 x 19	350	47	32 mbar	227.5 m ³ /h
150	145	210	286	240	8 x 23	480	86	37 mbar	261.5 m ³ /h

Materials of Construction

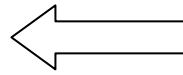
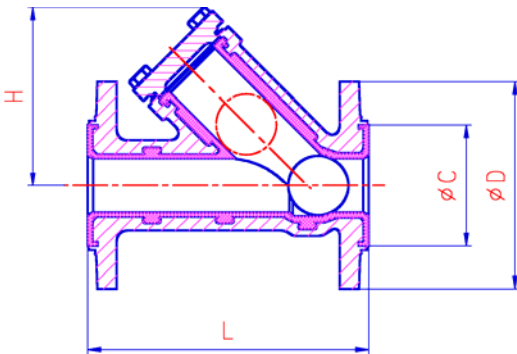
Item	Qty.	Description	Material
1	1	Body	Lined EN-JS1049,
2	1	Flange	Lined EN-JS1049,
3	1	Ball	Solid Teflon® PTFE
4	2	Screws	A4-70 EN 24017 / ASTM 193 Gr.B7 (Zinc plated)
5	2	Hexagon Nuts	A4 EN 24032) / ASTM 194 Gr.H2 (Zinc plated)

XOMOX Fully Lined Flanged Ball Check Valve (45°), Type B101 / B102 / B103

Type B101 Flanges as per DIN PN 10-16
 Type B102 Flanges as per ASME Class 150
 Type B103 Flanges as per JIS 10 K

Suitable for mounting in either horizontal or vertical position

Other pressure classes on request



Flow Direction

Installation and operating direction is marked on the valve body by an arrow.

Dimensions in mm

DN B101	NPS B102*	DN B103	L			H			Approx. weight in kg	Ball weight in gr.
			B101	B102	B103	B101	B102	B103		
15	**1½	15	150	150	150	85	85	85	3.2	12
20	¾	20	150	150	150	85	85	85	3.2	12
25	1	25	160	160	160	93	93	93	4.0	33
32	*1¼	32	200			120			6.8	76
40	1½	40	200	200	200	120	120	120	6.8	76
50	2	50	230	230	230	145	145	145	9.2	130
80	3	80	310	310	310	185	185	185	19.0	585
100	4	100	350	350	350	220	220	220	23.6	740

* Only on request
 ** Flange holes threaded

Materials

Body: EN-JS 1049
 Body lining: PFA or PFA-AS PVDF or ETFE
 Ball: Teflon® PTFE solid ball
 Tightness check: EN 12266-1 Leakage rate C

Other materials upon request.

Pressure-Temperature-Rating

Temperature in °C	- 40	- 20	0	20	40	60	80	100	120	140	150	160	170	180
Oper. Pressure (bar) PVDF - ETFE	0	5	10	10	10	10	10	10	10	8				
Oper. Pressure (bar) PFA, PFA-AS	0	5	10	10	10	10	10	10	10	10	10	9	8	5

Maximal operating pressure: 10 bar

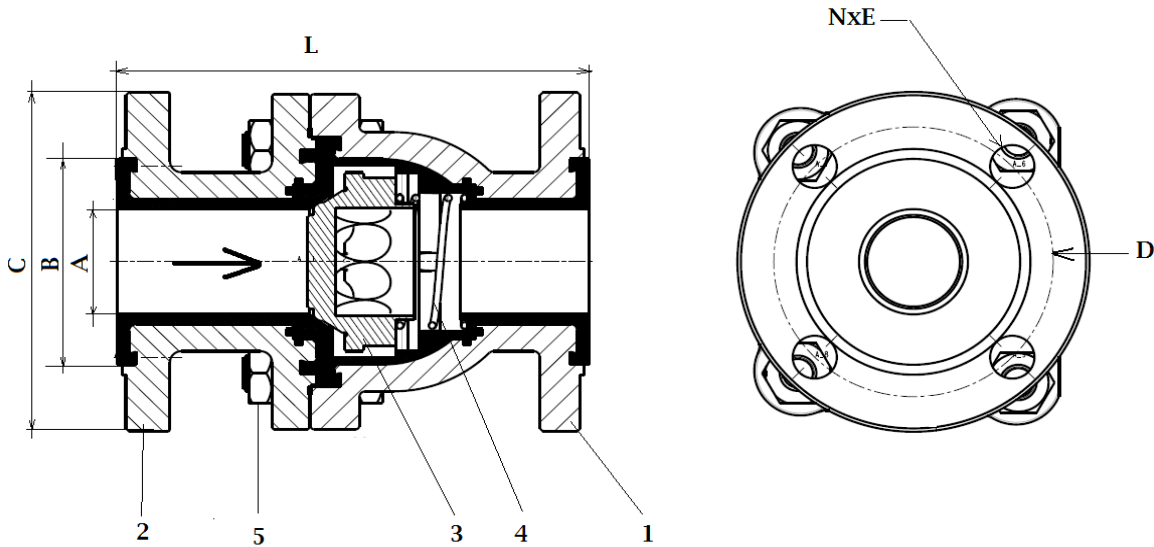
XOMOX Fully Lined Piston Check Valve (spring loaded), Type C201 (DIN) C202 (ASME) C203 (JIS)



Design Features & Benefits

- Robust, two-piece body design in ductile iron EN-JS1049
- RAL 2009 , FV7133 , AY-PUR-coated body prevents external corrosion
- Excellent diffusion and corrosion resistance due to virgin fluorocarbon, locked-in resins PFA, PFA-AS , ETFE or PVDF lining materials)
- Locked-in linings by special grooves in the body castings
- Prevent any backflow of process media within the pipe system
- Reliable and multi-purpose safety devices with long life-time
- Suitable for horizontal and vertical mounting even at low differential pressures
- Low space requirements
- Maximal operating pressure: PVDF 120°C, ETFE 150°C, PFA: 200°C
- Tightness check: EN 12266-1 Leakage rate A
- Max open pressure between 0 mbar and 30 mbars

Technical Details



Dimensional Chart C201 (DIN version)

DN	A	B	C	D	N x E	L	Weight in kg	Kv Values
15	15	43	95	65	4 x 14	130	4.1	5,3 m ³ /h
20	20	53	105	75	4 x 14	150	5.2	7.4 m ³ /h
25	23	63	115	85	4 x 14	160	5.2	15 m ³ /h
32	29	74	140	100	4 x 18	180	6.0	On request
40	36	84	150	110	4 x 18	200	10.6	25,5 m ³ /h
50	47	100	165	125	4 x 18	230	13.4	38 m ³ /h
65	60	119	185	145	4 x 18	290	28	On request
80	78	134	200	160	8 x 18	310	31	86.5 m ³ /h
100	95	154	220	180	8 x 18	350	47	119,2 m ³ /h
150	145	210	286	240	8 x 18	480	86	138 m ³ /h

Dimensional Chart C202 (ASME CL150 version)

NPS	A	B	C	D	N x E	L	Weight in kg	Kv Values
½"	15	40	89	60	4 x 15,9	130	4.0	5,3 m ³ /h
¾"	20	50	98	69	4 x 15,9	150	5.1	7.4 m ³ /h
1"	23	51	108	79	4 x 15,9	152,4	5.1	15 m ³ /h
1½"	36	73	127	98	4 x 15,9	178	10.45	25.5 m ³ /h
2"	47	92	152	120	4 x 19	203	13.2	38 m ³ /h
3"	78	125	191	152	4 x 19	241	30.3	86.5 m ³ /h
4"	95	157	229	190,5	8 x 19	292	46.4	119.2 m ³ /h
6"	145	210	279	241	8 x 22,2	355	85.2	138.0 m ³ /h

Dimensional Chart C202 (ASME CL300 face to face and drilled version)

NPS	A	B	C	D	N x E	L	Weight in kg	Kv Values
½"	15	40	95	66.7	4x15,9	140		5,3 m ³ /h
¾"	20	50	117	82,5	4x 19	152		7.4 m ³ /h
1"	23	51	124	88.9	4x 19	165		15 m ³ /h
1½"	36	73	156	114.3	4x 22.2	190		25.5 m ³ /h
2"	47	92	165	127	8x19	216		38 m ³ /h
3"	78	125	210	168.3	8x22.2	282		86.5 m ³ /h
4"	95	157	254	200	8x22.2	305		119.2 m ³ /h
6"	145	210	318	270	12x22.2	403		138.0 m ³ /h

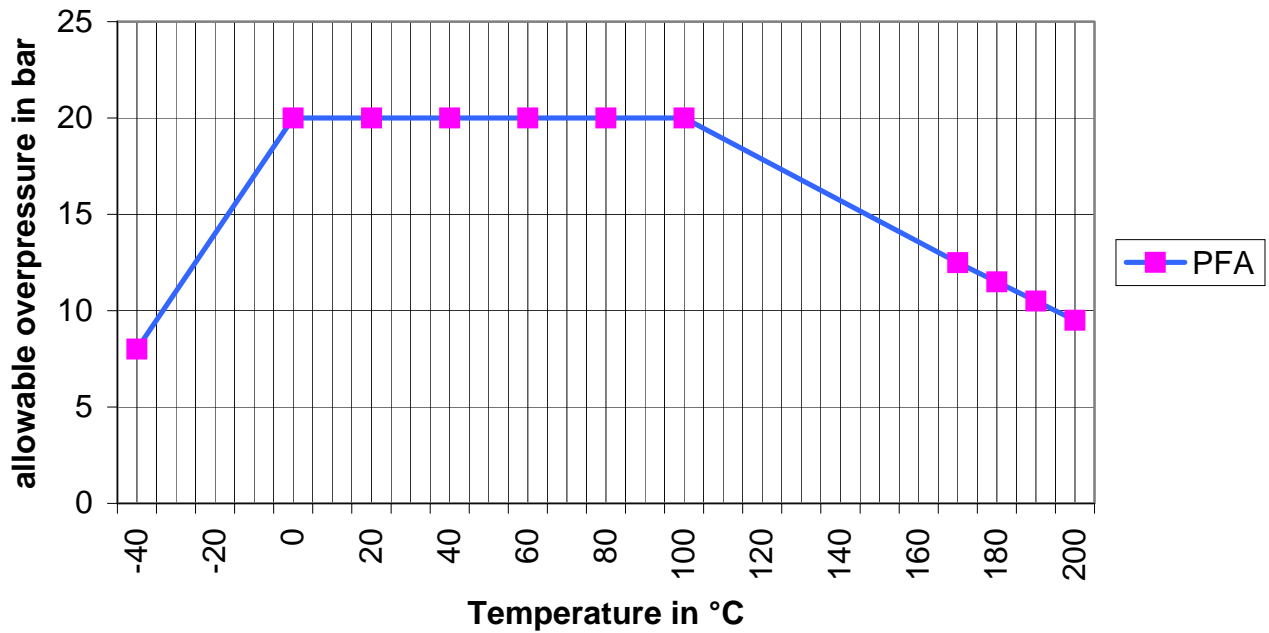
Dimensional Chart C203 (JIS version)

DN	A	B	C	D	N x E	L	Weight in kg	Kv Values
15	15	43	95	70	4 x 15	130	4.1	5,3 m ³ /h
20	20	53	105	75	4 x 15	150	5.2	7.4 m ³ /h
25	23	63	115	90	4 x 19	160	5.2	15 m ³ /h
32	29	74	140	100	4 x 19	180	6.0	On request
40	36	84	150	105	4 x 19	200	10.6	25,5 m ³ /h
50	47	100	165	120	4 x 19	230	13.4	38 m ³ /h
65	60	119	185	140	4 x 19	290	28	On request
80	78	134	200	150	8 x 19	310	31	86.5 m ³ /h
100	95	154	220	175	8 x 19	350	47	119,2 m ³ /h
150	145	210	286	240	8 x 23	480	86	138 m ³ /h

Part Description

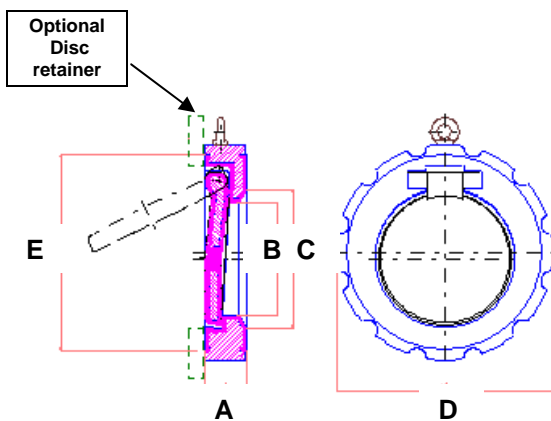
Item.	Qty.	Description	Material
1	1	Body	Lined / EN-JS1049 / ???
2	1	Flange	Lined / EN-JS1049 / ???
3	1	Piston	PTFE Teflon®
4	1	Spring	1.4310 / PTFE Teflon®
5	2	Hexagon Screws	A4-70 EN 24017
5	2	Hexagon Nuts	A4 EN 24032

Pressure-Temperature Range



Type 170 as per DIN PN 10-16
Type 0170 as per ASME Class 150
Type 8170 as per JIS 10 K

Swing check valves for piping systems
as per ASME Class 300 and BS on request.





Dimensions in mm

DN 170	NPS 0170	DN 8170	A	B	C	D	E	Approx. weight / kg	Inner pipe diameter * min. max.	
80	3	3	46	42	64	142	124	3.1	73	82
100	4	4	52	65	80	180	152	5.6	95	106
150	6	6	56	111	128	233	207	11.6	145	160
200	8	8	60	133	175	295	260	17.5	192	200
250	10	10	68	184	224	348	317	28.5	242	260
300	12	12	78	232	272	398	367	42.0	292	310

Materials

Body:	EN-JS1049 Steel 1.0038	DN 80 - 150 / NPS 3 - 6 DN 200 – 300 / NPS 8 – 12
Body lining:	PFA, PFA-AS	
Disc:	PFA or PFA-AS without metal core	
DN 80 – 100:	Disc core in 1.0038	
DN 150 – 200:	Disc core in EN-JS1049	
DN 250 - 300:	PFA or PFA-AS lining available (Other materials upon request.)	
Tightness check:	EN 12266-1 Leakage rate C	

* **Caution:** Required to retain disc in valve body. If pipe I.D. exceeds maximum, use optional disc retainer.

Pressure-Temperature-Rating

Temperature in °C	- 40	- 20	0	20	40	60	80	100	120	140	150	160	170	180
Oper. Pressure (bar) PFA	0	5	10	10	10	10	10	10	10	10	10	9	8	5

Maximal operating pressure: 10 bar

Pressure drop rating for swing check valve Type 170

Pressure drop

DN	KVA (m/ h)
80	85
100	200
150	570
200	1200
250	1680
300	2700

Subject to technical modifications.

Crane Co., and its subsidiaries cannot accept responsibility for possible errors in catalogues, brochures, other printed materials, and website information. Crane Co. reserves the right to alter its products without notice, including products already on order provided that such alteration can be made without changes being necessary in specifications already agreed. All their trademarks in this material are property of the Crane Co. or its subsidiaries. The Crane and Crane brands logotype are registered trademarks of Crane Co. All rights reserved.



Teflon® is a registered Trademark of I. E. du Pont de Nemurs and Company and is used under license by XOMOX International GmbH & Co.