



ITIS B.V.
 Daniëlsweg 6
 NL-4451 HP Heinkenszand
 T + 31 113 568515
 info@itis-nl.com
 www.itis-nl.com

ITIS Certificate
 201600158-C001 rev2



Industrie Service

API607 AND ISO 10497 FIRE TEST QUALIFICATION CERTIFICATE

This certificate is to certify that the valve below has been tested in accordance with, and meets all requirements stated in API Standard 607, sixth edition September 2010; Fire test for quarter turn valves and valves with non metallic seats, and ISO 10497 third edition 2010-02-15 Testing of valves - Fire- type testing requirements

Test valve details

Manufacturer : Zuercher Technik AG
 Address : Neumattstrasse 6, ch – 4450, Sissach, Switzerland
 Nominal size : DN50 – 2”
 Pressure rating : PN64
 Flow direction : Bi- directional
 Type : Floating Ball valve, Series AF20D
 Bore : Full Bore DN50
 Weight : 5.7kg
 Drawing number : 1602235.01 date: 01-02-2016
 Body material : 1.4408 / CF8M
 Body gasket : Graphite
 Stud bolt/Nut material : A2-70/A2-70
 Ball material : 1.4401/316
 Seat material : RPTFE
 Stem material : 1.4401/316
 Stem seal material : Graphite
 Identification No. : 00158001
 Markings on valve : Body material, heat no. and Serial number on valve body
 Gearbox : n.a.

Scope of other sizes, weight, pressures and materials qualified by this test.

Tested valve	7.3 Nominal Size	7.4 Pressure rating	7.1 d (e) Weight
NPS2 DN50 PN64	NPS2 and below, 2½, 3; 4 DN50 and below, 65, 80; 100	Class 300; 400; 600 PN64 and PN100	AF20D and valves with a mass >75%

For material qualification see paragraph 7.2 in report mentioned below.

This certificate is only valid in conjunction with the full ITIS BV test report number 201600158-R001 rev2

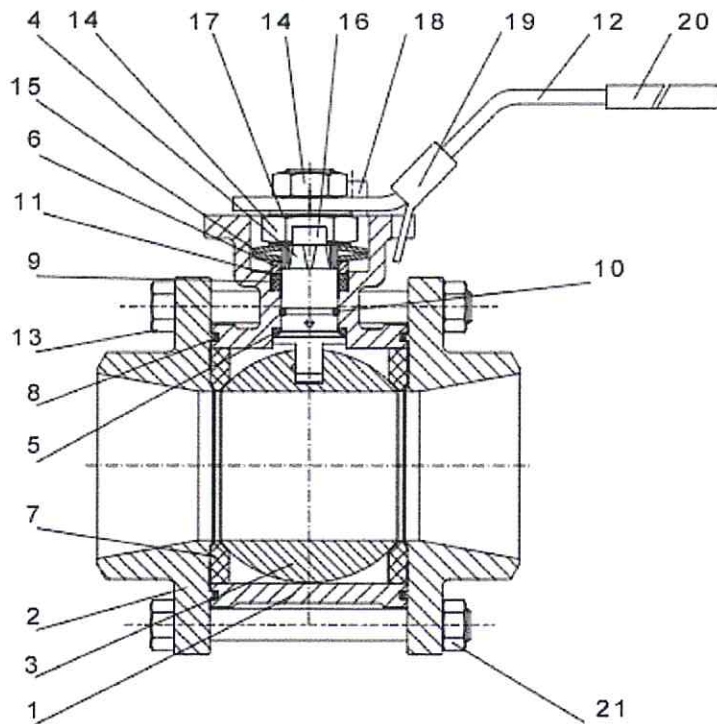
Name operator (ITIS)

J. Meijer
 J. Meijer
 14-6-2016
 Industrial Testing & Inspection Services


Agree authority (TUV SUD)

I van Remoortere
 I van Remoortere 14-6-2016
 Industrie Service C

3 piece ball valve fig. AF20D



No.	Description	Material for stainless steel valve	Material for carbon steel valve
1	Body	1.4408 / CF8M	1.0619 / A216 WCB
2	End	1.4408 / CF8M 1.4409 / CF3M	1.0619 / A216 WCB
3	Ball	1.4401 / 316	1.4401 / 316
4	Stem	1.4401 / 316	1.4401 / 316
5	Stem washer	PTFE	PTFE
6	Stem seal follower	1.4401 / 316	1.4401 / 316
7	Seat Ring	PTFE/ RPTFE/ CPTFE	PTFE/ RPTFE/ CPTFE
8	Body seal	Graphite	Graphite
9	Stem packing	Graphite	Graphite
10	O-Ring (optional)	NBR / FEP	NBR / FEP
11	Stem Shim	PTFE / RPTFE / CPTFE	PTFE / RPTFE / CPTFE
12	Handle	1.4301 / 304	1.4301 / 304
13	Hex screw	A2-70	A2-70
14	Stem Nut	1.4301 / 304	1.4301 / 304
15	Belleville washer	1.4310 / 301	1.4310 / 301
16	Safety plate	1.4301 / 304	1.4301 / 304
17	Distancer ring	1.4301 / 304	1.4301 / 304
18	Stop device	1.4301 / 304	1.4301 / 304
19	Locking device	1.4301 / 304	1.4301 / 304
20	Sleeve	PVC	PVC
21	Hex Nut	A2-70	A2-70

	Drawed	R. Zingg	01.02.16
	Checked	RIZ	01.02.16
	Item fig	AF20D PN64	DN 50 – Full Bore
	Drawing no.	1602235.01	