



ITIS B.V.
 Daniëlsweg 6
 NL-4451 HP Heinkenszand
 T + 31 113 568515
 info@itis-nl.com
 www.itis-nl.com

ITIS Certificate
 201500169-C002 rev2



Industrie Service

API607 AND ISO 10497 FIRE TEST QUALIFICATION CERTIFICATE

This certificate is to certify that the valve below has been tested in accordance with, and meets all requirements stated in API Standard 607, sixth edition September 2010; Fire test for quarter turn valves and valves with non metallic seats, and ISO 10497 third edition 2010-02-15 Testing of valves - Fire- type testing requirements

Test valve details

Manufacturer : Zuercher Technik AG
 Address : Neumattstrasse 6, ch – 4450, Sissach, Switzerland
 Nominal size : DN50 – 2”
 Pressure rating : PN64
 Flow direction : Bi- directional
 Type : Floating Ball valve, Series AF20D
 Weight : 5.6kg
 Bore : Full Bore DN50
 Drawing number : 1602235.01 date: 01-02-2016
 Body material : 1.0619/A216 WCB
 Body gasket : Graphite
 Stud bolt/Nut material : A2-70 / A2-70
 Ball material : 1.4401/316
 Seat material : RPTFE
 Stem material : 1.4401/316
 Stem seal material : Graphite
 Identification No. : 00169002 (by ITIS)
 Markings on valve : Body material, heat no. and Serial number on valve body
 Gearbox : n.a.

Scope of other sizes, weight, pressures and materials qualified by this test.

| Tested valve | 7.3 Nominal Size | 7.4 Pressure rating | 7.1 d (e) Weight |
|-------------------|---|------------------------------------|--------------------------------------|
| NPS2 DN50 PN64 | NPS2 and below; 2½; 3; 4 DN50 and below; 65; 80; 100 | Class 300; 400; 600 PN64; PN100 | AF20D and valves with a mass >75% |

For material qualification see paragraph 7.2 in report mentioned below.

This certificate is only valid in conjunction with the full ITIS BV test report number 201500169-R002 rev2

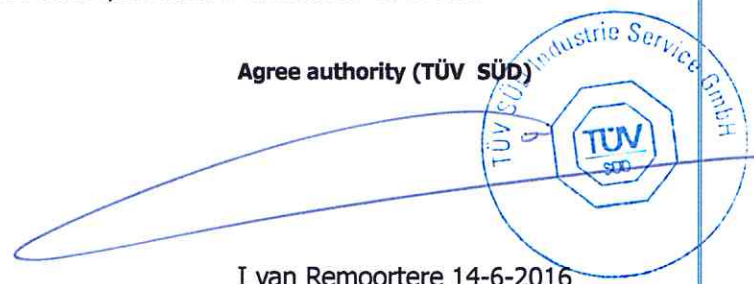
Name operator (ITIS)

TESTED
 REVIEW
 WITNESSED
 Date/Signature
 Industrial Testing & Inspection S.I. 14-6-2016

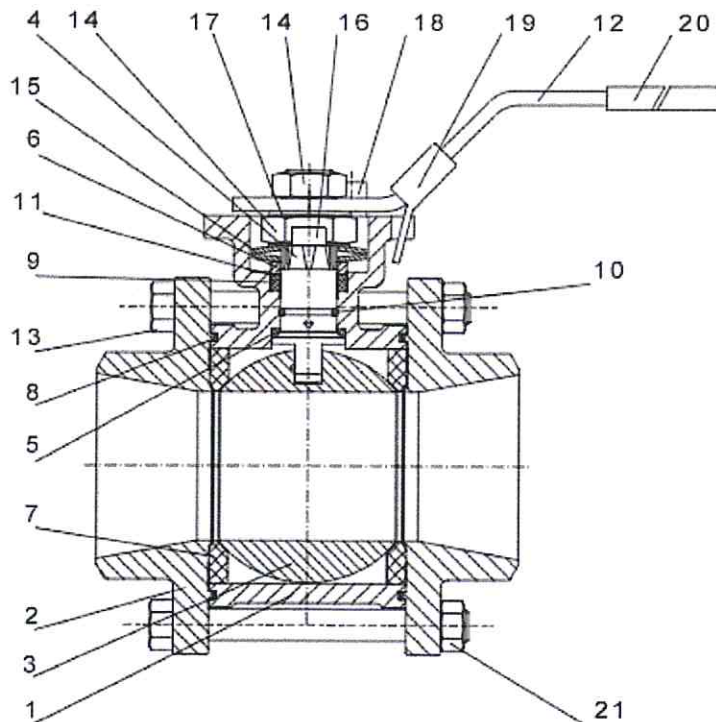
J. Meijer

Agree authority (TUV SUD)


I van Remoortere 14-6-2016



3 piece ball valve fig. AF20D



| No. | Description | Material for stainless steel valve | Material for carbon steel valve |
|-----|--------------------|------------------------------------|---------------------------------|
| 1 | Body | 1.4408 / CF8M | 1.0619 / A216 WCB |
| 2 | End | 1.4408 / CF8M 1.4409 / CF3M | 1.0619 / A216 WCB |
| 3 | Ball | 1.4401 / 316 | 1.4401 / 316 |
| 4 | Stem | 1.4401 / 316 | 1.4401 / 316 |
| 5 | Stem washer | PTFE | PTFE |
| 6 | Stem seal follower | 1.4401 / 316 | 1.4401 / 316 |
| 7 | Seat Ring | PTFE / RPTFE / CPTFE | PTFE / RPTFE / CPTFE |
| 8 | Body seal | Graphite | Graphite |
| 9 | Stem packing | Graphite | Graphite |
| 10 | O-Ring (optional) | NBR / FEP | NBR / FEP |
| 11 | Stem Shim | PTFE / RPTFE / CPTFE | PTFE / RPTFE / CPTFE |
| 12 | Handle | 1.4301 / 304 | 1.4301 / 304 |
| 13 | Hex screw | A2-70 | A2-70 |
| 14 | Stem Nut | 1.4301 / 304 | 1.4301 / 304 |
| 15 | Belleville washer | 1.4310 / 301 | 1.4310 / 301 |
| 16 | Safety plate | 1.4301 / 304 | 1.4301 / 304 |
| 17 | Distancer ring | 1.4301 / 304 | 1.4301 / 304 |
| 18 | Stop device | 1.4301 / 304 | 1.4301 / 304 |
| 19 | Locking device | 1.4301 / 304 | 1.4301 / 304 |
| 20 | Sleeve | PVC | PVC |
| 21 | Hex Nut | A2-70 | A2-70 |

| | | | |
|---|-------------|------------|-------------------|
|  | Drawn | R. Zingg | 01.02.16 |
| | Checked | RIZ | 01.02.16 |
| | Item fig | AF20D PN64 | DN 50 – Full Bore |
| | Drawing no. | 1602235.01 | |