



JDV  
CONTROL  
VALVES



# JBT / JBTM Series

Trunnion Type **Soft Metal** Seat Ball Valve



*We link all you need  
and more than you expect.*



# JBT / JBTM Series

## Trunnion Type **Soft Metal** Seat Ball Valve

### Full Bore Three Piece Flanged Ends

### ASME CLASS 150/300/600/900/1500/2500

The JBT & JBTM Series are Trunnion-mounted ball valves designed with vanguard engineering and highly sophisticated technology. Our in-house High Velocity Oxygen Fuel-sprayed hard faces allow them to defy the toughest operating conditions, such as high pressure, abrasive and corrosive mediums, slurries, etc. Successfully used in the Oil & Gas industry, Refineries and Power Plants, these API 6D certificated valves provide an outstanding tightness, stability, safety and reliability that exceed most industry standards.

## Product Features

1. True bidirectional design and wide temperature range satisfying all applications.
2. Cavity pressure relief design protecting against any excess of pressure in the body cavity.
3. Trunnion ball design ensuring a tight contact between seats and ball, and allowing the valves to withstand extremely high pressures.
4. Single piston seat rings that guarantees the self-relief of the body cavity in case of overpressure.
5. Double piston design in option, securing both upstream and downstream sealings.
6. Optional double block and bleed design ensuring a safe isolation simultaneously on both upstream and downstream seats.
7. Splined stem strengthening the trim to withstand heavy torques under high pressure drops.
8. Emergency sealant injection design on request to restore the seat or packing integrity immediately.
9. Optional drain plug device to empty the cavity or to detect any leakage.
10. Body gland providing a trustworthy anti-blowout function and an easy maintenance.
11. Several alternatives of soft and metal seats to meet any kind of requirement.
12. Optional purge device guaranteeing a complete cleaning of the body cavity.
13. Fire safe design according to API 607 or API 6FA.
14. Antistatic device.
15. ISO 5211 Mounting Pad design.



API 607/6FA Fire Safe Design



HVOF Thermal Spray

## Applicable Standards

- Body Material :  
Standard in WCB, CF8, CF8M  
Other materials are available according to requirements.
- Nominal Size : 2" to 24" (DN50 to DN600)
- Pressure Rating : ASME CLASS 150/300/600, 900/1500/2500 on request.
- End Connections : RF / RTJ
- Temperature Range :  
Soft Seat : -320~482 °F (-196~250 °C)  
Metal seat : -320~932 °F (-196~500 °C), higher temperature on request.
- Face-To-Face Dimensions : ASME B16.10
- Flanged Dimensions : ASME B16.5
- Body Pressure Testing : ASME B16.34 / API 598 / API 6D
- Seat Leakage Testing :  
Soft Seat : ASME B16.34 / API 598 / API 6D  
Metal Seat : ANSI / FCI 70-2 Class V in standard, Class VI in option.
- Casting : MSS-SP-25 / MSS-SP-55
- Fire Safe Design : Certificated according to API 607 / API 6FA

## Industrial Fields:

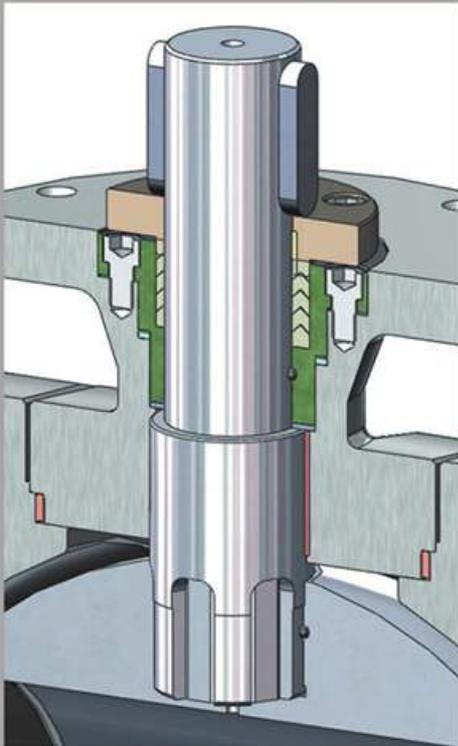
Oil & Gas  
Refinery / Petrochemical  
Chemical  
Pulp & Paper  
Power Plant  
Steel Mill  
Food  
Mining





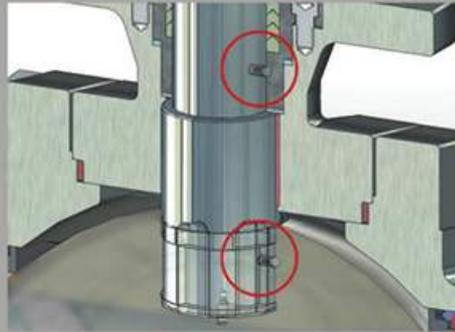
## Standard Design

### Anti-blowout Design

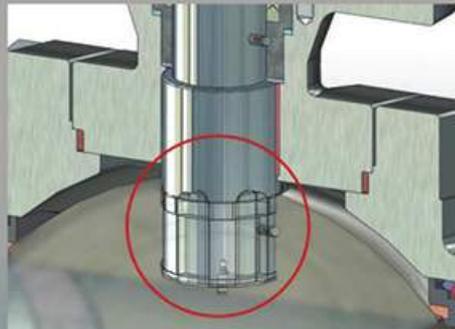


Body Gland prevents the stem from blowing out, and also provides an easy maintenance to the stem packing if necessary.

### Antistatic Design



### Splined Stem Design



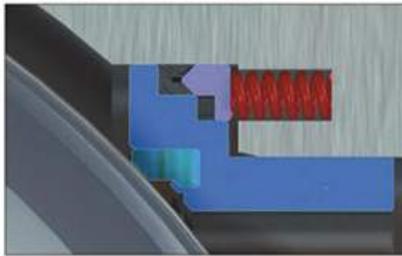
Splined design increases the stem strength to bear any high pressure drop.



## Standard Design

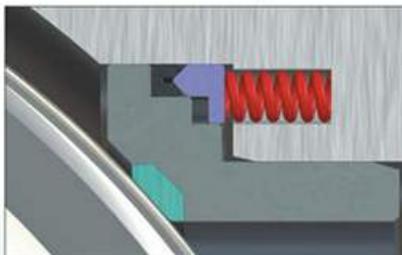
### Optional Seats:

#### Soft Seat Design

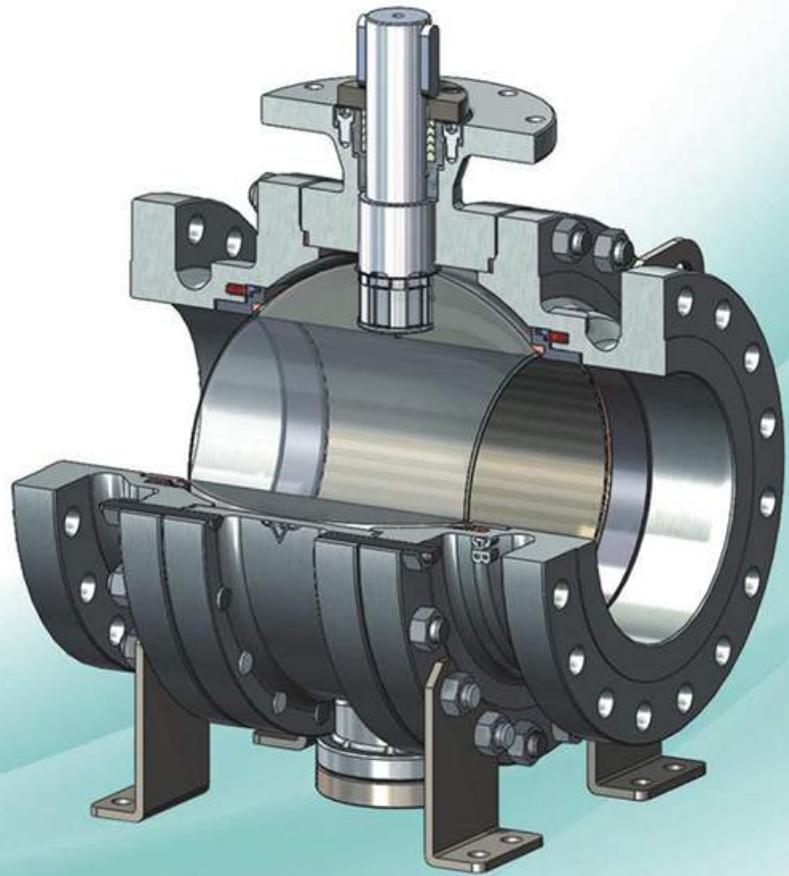


- Bidirectional design.
- Alternative materials available.

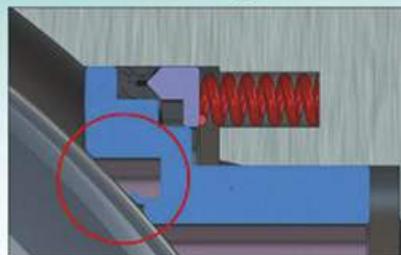
#### Metal Seat Design



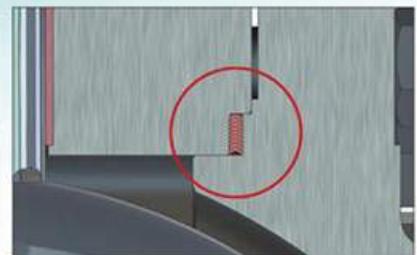
- Bidirectional design.
- Various hard faces in option.



### Fire Safe Design

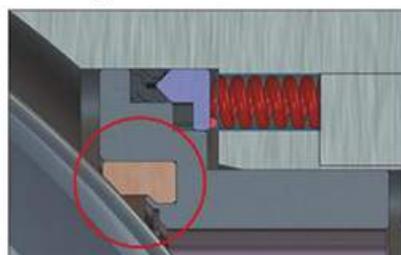


Metal-to-Metal contact after the soft seat is burned.

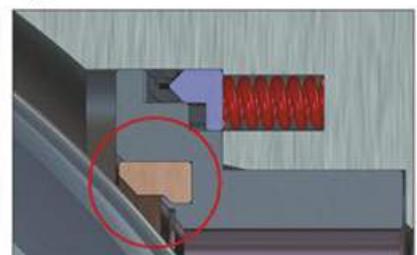


Graphite Body Gasket

### Cavity Pressure Relief Design



Before pressure relief



After pressure relief



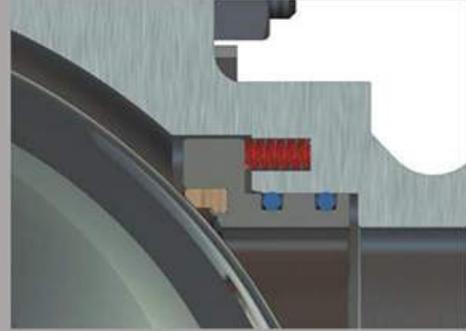
## Optional Designs

### Purge Design



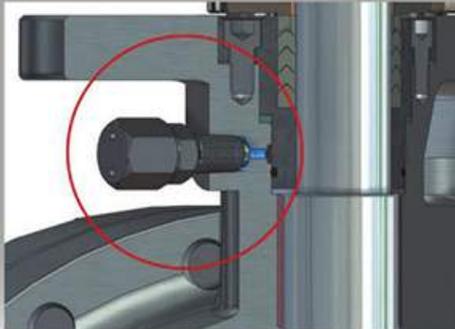
Purge design makes it easy to clean the body cavity.

### Double Piston Effect Seat Ring



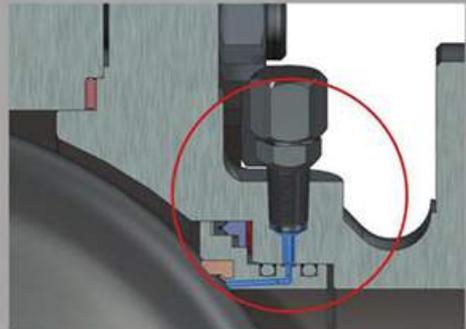
Double Piston Effect Seat Rings ensure the sealing upstream and downstream when the cavity is overpressured. This is available for working temperature -4~392 °F (-20~200 °C)

### Emergency Sealant Injection



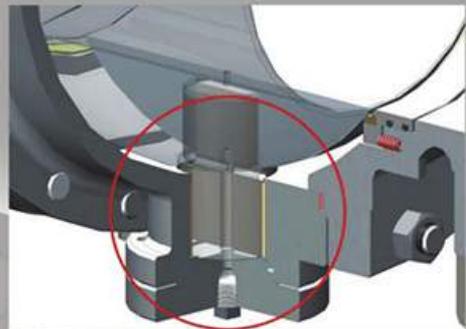
#### Injection to the Packing

Emergency sealant can be injected to restore the packing and seats. This is available for working temperature -4~392 °F (-20~200 °C)



#### Injection to the seats

### Drain Plug Design



Drain plug design allows to vent or detect the leakage.

## OUR IN-HOUSE H.V.O.F. COATINGS

Most severe applications are accompanied by high temperature, high abrasion, or high pressure using conditions. In order to make valves withstand these tough services, the balls and seats may need to be strengthened by another material. For this purpose, we built our own HVOF (High Velocity Oxygen Fuel) coating facility, to control the core of technology in the metal seat ball valve. The lower thermal energy preventing the metal deformation, and the higher kinetic energy increasing the strength and adhesion of the bond, offer unique advantages over other hard face methods.

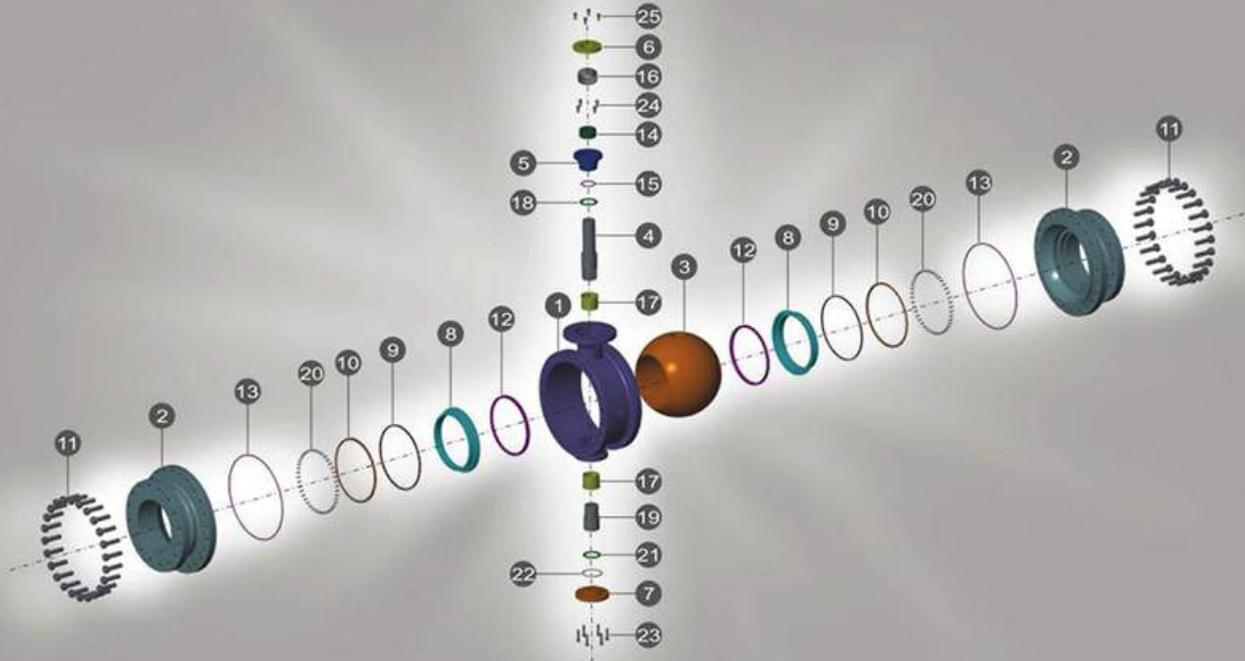


### JDV Standard Coatings

Series	Ball Coating	Seat Coating	Max. Temperature	Hardness	Applications
SH1	Tungsten Carbide	Tungsten Carbide	842 °F 450 °C	HRC70	Excellent for high temperature, high wearing, and corrosion resistance.
SH2	Chrome Carbide	Chrome Carbide	932 °F 500 °C	HRC60	Excellent for high temperature, cavitation, abrasion and sliding wear. Good for hot gas and corrosion resistance.



**JBT SERIES 2"~14" (DN50~DN350)**

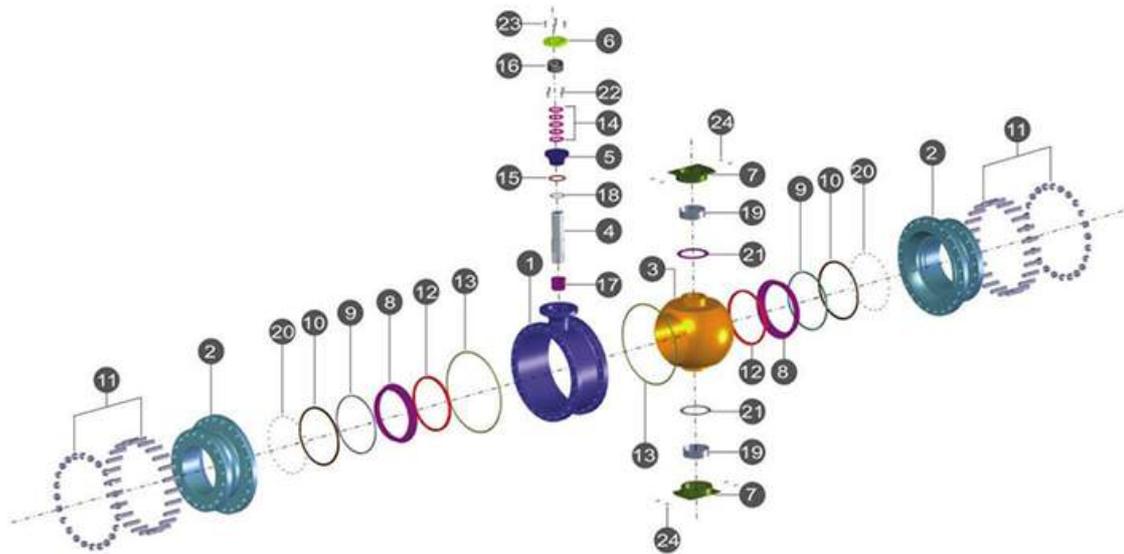


**Technical Specifications  
STANDARD MATERIALS**

NO	PART NAME	MATERIAL		
1	BODY	A216-WCB	A351-CF8	A351-CF8M
2	CAP	A216-WCB	A351-CF8	A351-CF8M
3	BALL	A351-CF8	A351-CF8	A351-CF8M
4	STEM	A276-304	A276-304	A276-316
5	BODY GLAND	A216-WCB	A351-CF8	A351-CF8M
6	GLAND	A216-WCB	A351-CF8	A351-CF8M
7	BEARING RETAINER	A216-WCB	A351-CF8	A351-CF8M
8	SEAT RING	A351-CF8	A351-CF8	A351-CF8M
9	SEAT RING SEAL	GRAPHITE	GRAPHITE	GRAPHITE
10	SEAT RING RETAINER	A351-CF8	A351-CF8	A351-CF8M
11	BOLT & NUT	A193-B7 & A194-7	A193-B8 & A194-8	A193-B8 & A194-8
12	SEAT	G-PTFE/TFM-1600	G-PTFE/TFM-1600	G-PTFE/TFM-1600
13	BODY GASKET	316SS+GRAPHITE	316SS+GRAPHITE	316SS+GRAPHITE
14	GLAND PACKING	GRAPHITE	GRAPHITE	GRAPHITE
15	GLAND THRUST WASHER	GRAPHITE	GRAPHITE	GRAPHITE
16	GLAND BEARING	G-PTFE	G-PTFE	G-PTFE
17	STEM BEARING	METAL+HARD FACE	METAL+HARD FACE	METAL+HARD FACE
18	STEM THRUST WASHER	G-PTFE	G-PTFE	G-PTFE
19	TRUNNION STEM	A276-304	A276-304	A276-316
20	SPRING	INCONEL® X-750	INCONEL® X-750	INCONEL® X-750
21	TRUNNION STEM WASHER	G-PTFE	G-PTFE	G-PTFE
22	TRUNNION STEM GASKET	GRAPHITE	GRAPHITE	GRAPHITE
23	RETAINER BOLT	STAINLESS STEEL	STAINLESS STEEL	STAINLESS STEEL
24	BODY GLAND BOLT	STAINLESS STEEL	STAINLESS STEEL	STAINLESS STEEL
25	GLAND BOLT	STAINLESS STEEL	STAINLESS STEEL	STAINLESS STEEL



**JBT SERIES 16"~24"(DN400~DN600)**



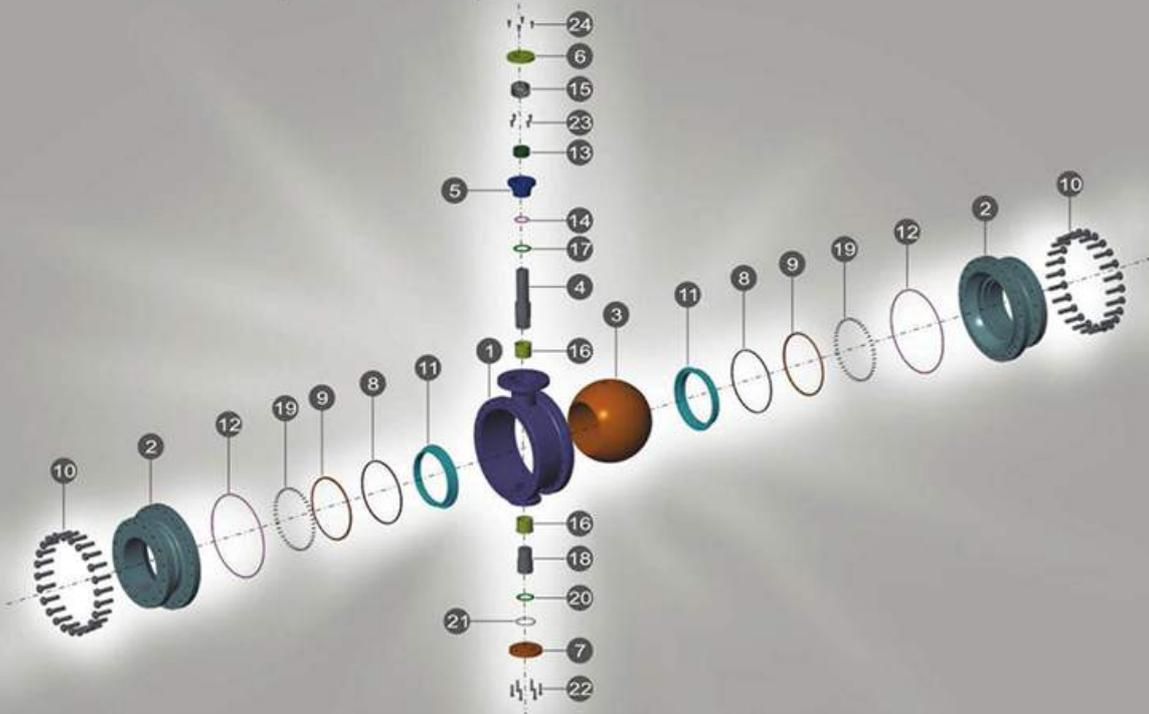
**STANDARD MATERIALS**

NO	PART NAME	MATERIAL		
1	BODY	A216-WCB	A351-CF8	A351-CF8M
2	CAP	A216-WCB	A351-CF8	A351-CF8M
3	BALL	A351-CF8	A351-CF8	A351-CF8M
4	STEM	A276-304	A276-304	A276-316
5	BODY GLAND	A216-WCB	A351-CF8	A351-CF8M
6	GLAND	A216-WCB	A351-CF8	A351-CF8M
7	TRUNNION	A216-WCB	A351-CF8	A351-CF8M
8	SEAT RING	A351-CF8	A351-CF8	A351-CF8M
9	SEAT RING SEAL	GRAPHITE	GRAPHITE	GRAPHITE
10	SEAT RING RETAINER	A351-CF8	A351-CF8	A351-CF8M
11	BOLT & NUT	A193-B7 & A194-7	A193-B8 & A194-8	A193-B8 & A194-8
12	SEAT	G-PTFE/TFM-1600	G-PTFE/TFM-1600	G-PTFE/TFM-1600
13	BODY GASKET	316SS+GRAPHITE	316SS+GRAPHITE	316SS+GRAPHITE
14	GLAND PACKING	GRAPHITE	GRAPHITE	GRAPHITE
15	GLAND THRUST WASHER	GRAPHITE	GRAPHITE	GRAPHITE
16	GLAND BEARING	G-PTFE	G-PTFE	G-PTFE
17	STEM BEARING	METAL+HARD FACE	METAL+HARD FACE	METAL+HARD FACE
18	STEM THRUST WASHER	METAL+HARD FACE	METAL+HARD FACE	METAL+HARD FACE
19	TRUNNION BEARING	METAL+HARD FACE	METAL+HARD FACE	METAL+HARD FACE
20	SPRING	INCONEL® X-750	INCONEL® X-750	INCONEL® X-750
21	WASHER	METAL+HARD FACE	METAL+HARD FACE	METAL+HARD FACE
22	BODY GLAND BOLT	STAINLESS STEEL	STAINLESS STEEL	STAINLESS STEEL
23	GLAND BOLT	STAINLESS STEEL	STAINLESS STEEL	STAINLESS STEEL
24	PIN	STAINLESS STEEL	STAINLESS STEEL	STAINLESS STEEL

The above materials may be changed with different using conditions.



**JBTM SERIES 2"~14" (DN50~DN350)**



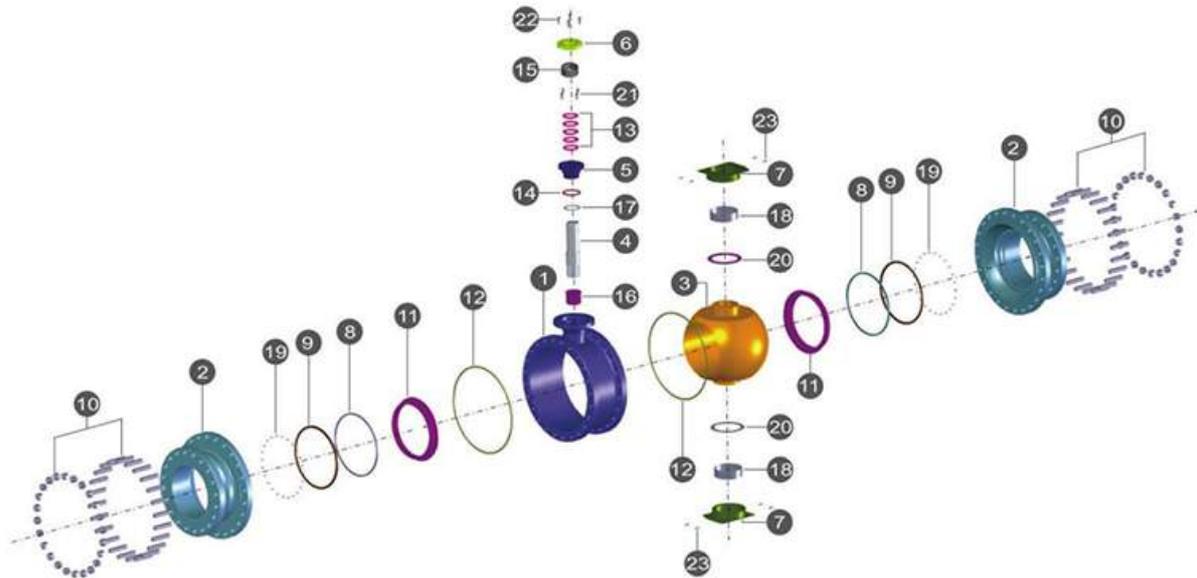
**STANDARD MATERIALS**

NO	PART NAME	MATERIAL		
1	BODY	A216-WCB	A351-CF8	A351-CF8M
2	CAP	A216-WCB	A351-CF8	A351-CF8M
3	BALL	A351-CF8+HCR <sup>(1)</sup> /TC <sup>(1)</sup> /CRC <sup>(1)</sup>	A351-CF8+HCR/TC/CRC	A351-CF8M+HCR/TC/CRC
4	STEM	A564-630 (HH1150)	A560-630 (HH1150)	A638-S66286
5	BODY GLAND	A216-WCB	A351-CF8	A351-CF8M
6	GLAND	A216-WCB	A351-CF8	A351-CF8M
7	BEARING RETAINER	A216-WCB	A351-CF8	A351-CF8M
8	SEAT RING SEAL	GRAPHITE	GRAPHITE	GRAPHITE
9	SEAT RING RETAINER	A351-CF8	A351-CF8	A351-CF8M
10	BOLT & NUT	A193-B7 & A194-7	A193-B8 & A194-8	A193-B8 & A194-8
11	SEAT	A351-CF8+STELLITE® /TC/CRC	A351-CF8+STELLITE® /TC/CRC	A351-CF8M+STELLITE® /TC/CRC
12	BODY GASKET	316SS+GRAPHITE	316SS+GRAPHITE	316SS+GRAPHITE
13	GLAND PACKING	GRAPHITE	GRAPHITE	GRAPHITE
14	GLAND THRUST WASHER	GRAPHITE	GRAPHITE	GRAPHITE
15	GLAND BEARING	METAL+HARD FACE	METAL+HARD FACE	METAL+HARD FACE
16	STEM BEARING	METAL+HARD FACE	METAL+HARD FACE	METAL+HARD FACE
17	STEM THRUST WASHER	METAL+HARD FACE	METAL+HARD FACE	METAL+HARD FACE
18	TRUNNION BEARING	A564-630 (HH1150)	A564-630 (HH1150)	A638-S66286
19	SPRING	INCONEL® X-750	INCONEL® X-750	INCONEL® X-750
20	TRUNNION STEM WASHER	METAL+HARD FACE	METAL+HARD FACE	METAL+HARD FACE
21	TRUNNION STEM GASKET	GRAPHITE	GRAPHITE	GRAPHITE
22	RETAINER BOLT	STAINLESS STEEL	STAINLESS STEEL	STAINLESS STEEL
23	BODY GLAND BOLT	STAINLESS STEEL	STAINLESS STEEL	STAINLESS STEEL
24	GLAND BOLT	STAINLESS STEEL	STAINLESS STEEL	STAINLESS STEEL

Notes:

(1) HCR = Hard Chrome TC = Tungsten Carbide CRC = Chrome Carbide

**JBTM SERIES 16"~24" (DN400~DN600)**



**STANDARD MATERIALS**

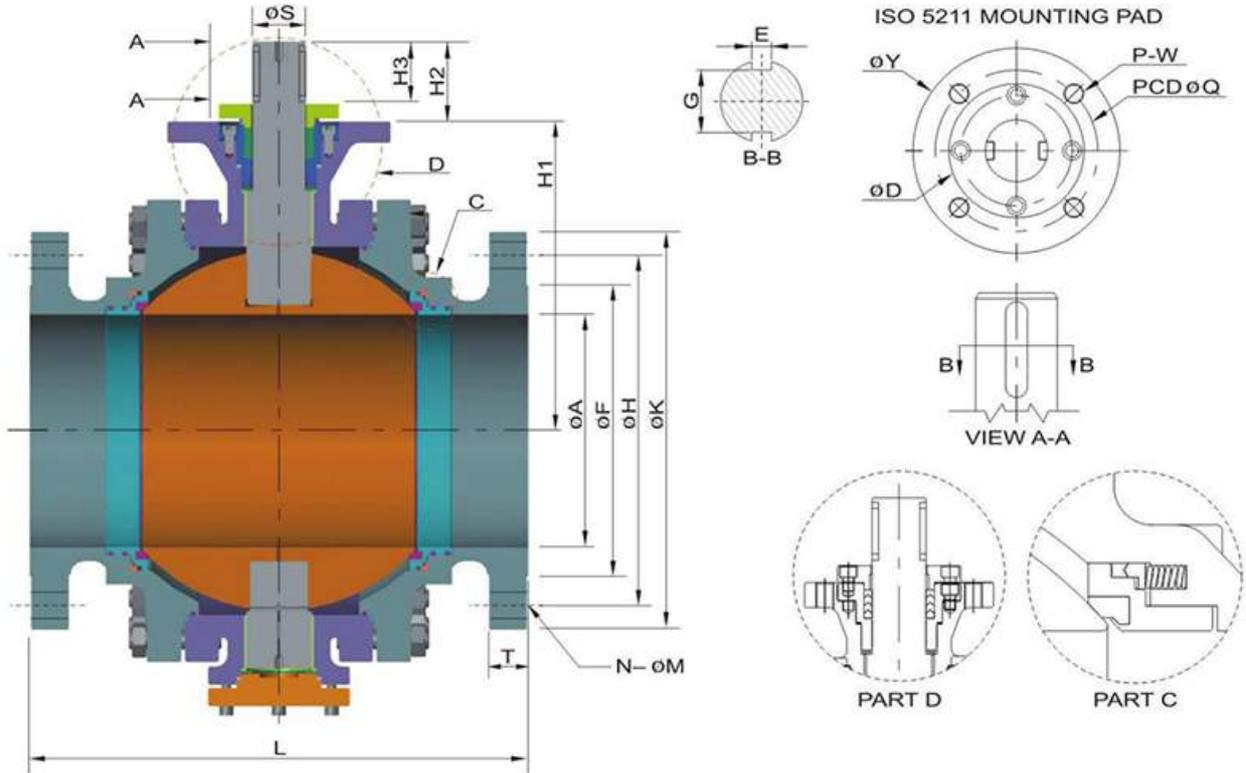
NO	PART NAME	MATERIAL		
1	BODY	A216-WCB	A351-CF8	A351-CF8M
2	CAP	A216-WCB	A351-CF8	A351-CF8M
3	BALL	A351-CF8+HCR/TC/CRC	A351-CF8+HCR/TC/CRC	A351-CF8M+HCR/TC/CRC
4	STEM	A564-630 (HH1150)	A564-630 (HH1150)	A638-S66286
5	BODY GLAND	A216-WCB	A351-CF8	A351-CF8M
6	GLAND	A216-WCB	A351-CF8	A351-CF8M
7	TRUNNION	A216-WCB	A351-CF8	A351-CF8M
8	SEAT RING SEAL	GRAPHITE	GRAPHITE	GRAPHITE
9	SEAT RING RETAINER	A351-CF8	A351-CF8	A351-CF8M
10	BOLT & NUT	A193-B7 & A194-7	A193-B8 & A194-8	A193-B8 & A194-8
11	SEAT	A351-CF8+STELLITE® /TC/CRC	A351-CF8+STELLITE® /TC/CRC	A351-CF8M+STELLITE® /TC/CRC
12	BODY GASKET	316SS+GRAPHITE	316SS+GRAPHITE	316SS+GRAPHITE
13	GLAND PACKING	GRAPHITE	GRAPHITE	GRAPHITE
14	GLAND THRUST WASHER	GRAPHITE	GRAPHITE	GRAPHITE
15	GLAND BEARING	METAL+HARD FACE	METAL+HARD FACE	METAL+HARD FACE
16	STEM BEARING	METAL+HARD FACE	METAL+HARD FACE	METAL+HARD FACE
17	STEM THRUST WASHER	METAL+HARD FACE	METAL+HARD FACE	METAL+HARD FACE
18	TRUNNION BEARING	METAL+HARD FACE	METAL+HARD FACE	METAL+HARD FACE
19	SPRING	INCONEL® X-750	INCONEL® X-750	INCONEL® X-750
20	WASHER	METAL+HARD FACE	METAL+HARD FACE	METAL+HARD FACE
21	BODY GLAND BOLT	STAINLESS STEEL	STAINLESS STEEL	STAINLESS STEEL
22	GLAND BOLT	STAINLESS STEEL	STAINLESS STEEL	STAINLESS STEEL
23	PIN	STAINLESS STEEL	STAINLESS STEEL	STAINLESS STEEL

The above materials may be changed with different using conditions.



# JDV CONTROL VALVES

## JBT / JBTM SERIES 2"~14" (DN50~DN350)



### DIMENSIONS (ASME CLASS 150)

(mm)

SIZE	A	F	H	K	M	N	L	T	H1	H2	H3	S	E	G	Q	W	P	Y	D	Wt (Kg)
50 2"	50	92	120.5	152	19	4	178	15.9	116.5	60	40	27	8	17	102	M10	4	130	73	17.3
80 3"	76	127	152.5	190	19	4	203	19.1	155.5	61	40	36.3	10	26.3	102	M10	4	130	85	31
100 4"	100	157	190.5	229	19	8	229	23.9	181	84	60	40	10	30	125	M12	4	153	100	50.7
150 6"	150	216	241.5	279	22	8	394	25.4	235	91	70	48	14	37	165	M20	4	210	125	119
200 8"	201	270	298.5	343	22	8	457	28.6	300	100	75	60	18	46	165	M20	4	210	128	210
250 10"	252	324	362	406	25	12	533	30.2	340	100	75	60	18	46	165	M20	4	210	128	318
300 12"	303	381	432	483	25	12	618	31.8	405	120	95	70	20	54	254	M16	8	290	156	490
350 14"	334	413	476.5	533	29	12	686	35.0	438.5	146	110	75	20	59	254	M16	8	290	170	630

### DIMENSIONS (ASME CLASS 300)

(mm)

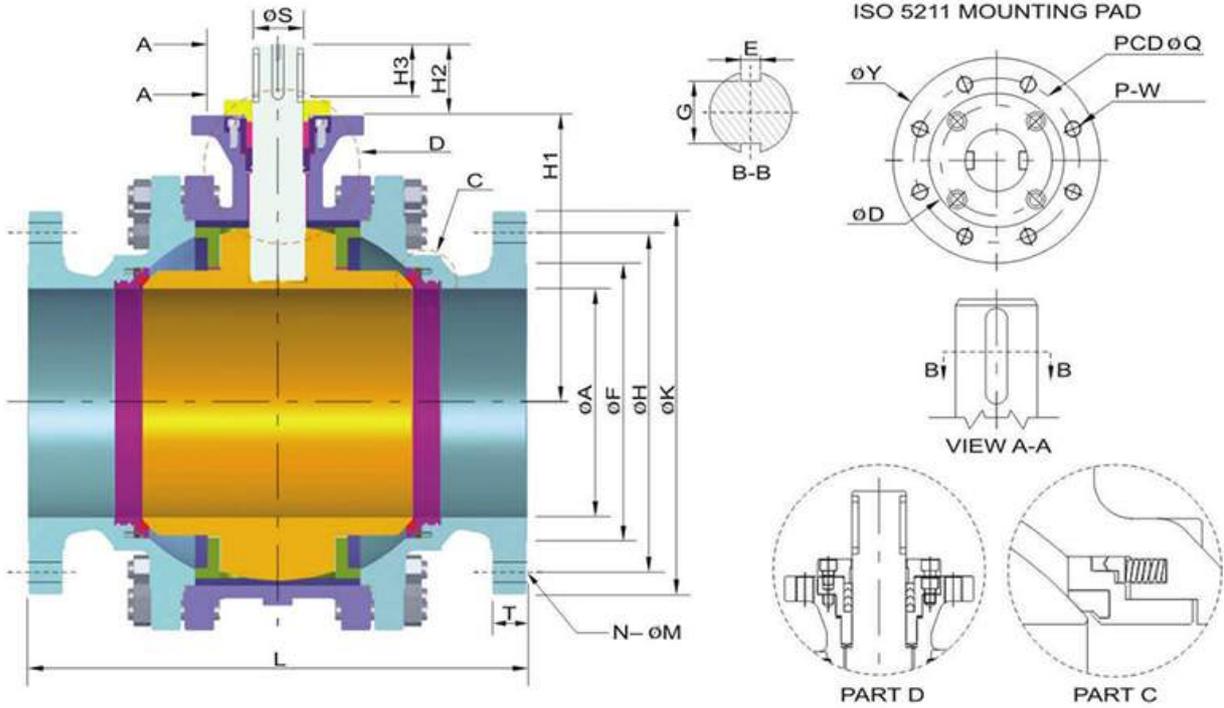
SIZE	A	F	H	K	M	N	L	T	H1	H2	H3	S	E	G	Q	W	P	Y	D	Wt (Kg)
50 2"	50	92	127	165	19	8	216	22.3	116.5	60	40	27	8	17	102	M10	4	130	73	21.5
80 3"	76	127	168	210	22	8	282	28.6	155.5	61	40	36.3	10	26.3	102	M10	4	130	85	47
100 4"	100	157	200	254	22	8	305	31.8	181	84	60	40	10	30	125	M12	4	153	100	74.8
150 6"	150	216	270	318	22	12	403	36.6	235	91	70	48	14	37	165	M20	4	210	125	150
200 8"	201	270	330	381	25	12	502	41.3	300	100	75	60	18	46	165	M20	4	210	128	268.5
250 10"	252	324	387.5	444	29	16	568	47.7	340	100	75	60	18	46	254	M16	8	290	128	432
300 12"	303	381	451	521	32	16	648	50.8	405	120	95	70	20	54	254	M16	8	290	156	657
350 14"	334	413	514.5	584	32	20	762	54.0	438.5	146	110	75	20	59	254	M16	8	290	170	855

### DIMENSIONS (ASME CLASS 600)

(mm)

SIZE	A	F	H	K	M	N	L	T	H1	H2	H3	S	E	G	Q	W	P	Y	D	Wt (Kg)
50 2"	50	92	127	165	19	8	292	31.8	116.5	60	40	27	8	17	102	M10	4	130	73	28.3
80 3"	76	127	168	210	22	8	356	38.2	155.5	61	40	36.3	10	26.3	102	M10	4	130	85	61.7
100 4"	100	157	216	273	25	8	432	44.5	181	84	60	40	10	30	125	M12	4	153	100	108.7
150 6"	150	216	292	356	29	12	559	54.1	235	91	70	48	14	37	165	M20	4	210	125	219
200 8"	201	270	349	419	32	12	660	62	300	100	75	60	18	46	165	M20	4	210	128	437
250 10"	252	324	432	508	35	16	787	69.9	340	100	75	60	18	46	254	M16	8	290	128	645
300 12"	303	381	489	559	35	20	838	73.1	405	120	95	70	20	54	254	M16	8	290	156	870
350 14"	334	413	527	603	38	20	889	76.2	438.5	146	110	75	20	59	254	M16	8	290	170	1145

**JBT / JBTM SERIES 16"~24" (DN400~DN600)**



**DIMENSIONS (ASME CLASS 150)**

(mm)

SIZE	A	F	H	K	M	N	L	T	H1	H2	H3	S	E	G	Q	W	P	Y	D	Wt (Kg)
400 16"	387	470	539.8	597	29	16	762	36.6	487	145	108	85	24	65.6	254	M16	8	290	179	885
450 18"	438	533	578	635	32	16	864	39.7	531	170	135	100	28	80	254	M16	8	290	190	1158
500 20"	489	584	635	698	32	20	914	42.7	562	180	145	110	32	84	298	M20	8	350	210	1450
600 24"	589	692	749.5	813	35	20	1067	47.6	650	200	160	120	32	109	356	M30	8	415	230	2030

**DIMENSIONS (ASME CLASS 300)**

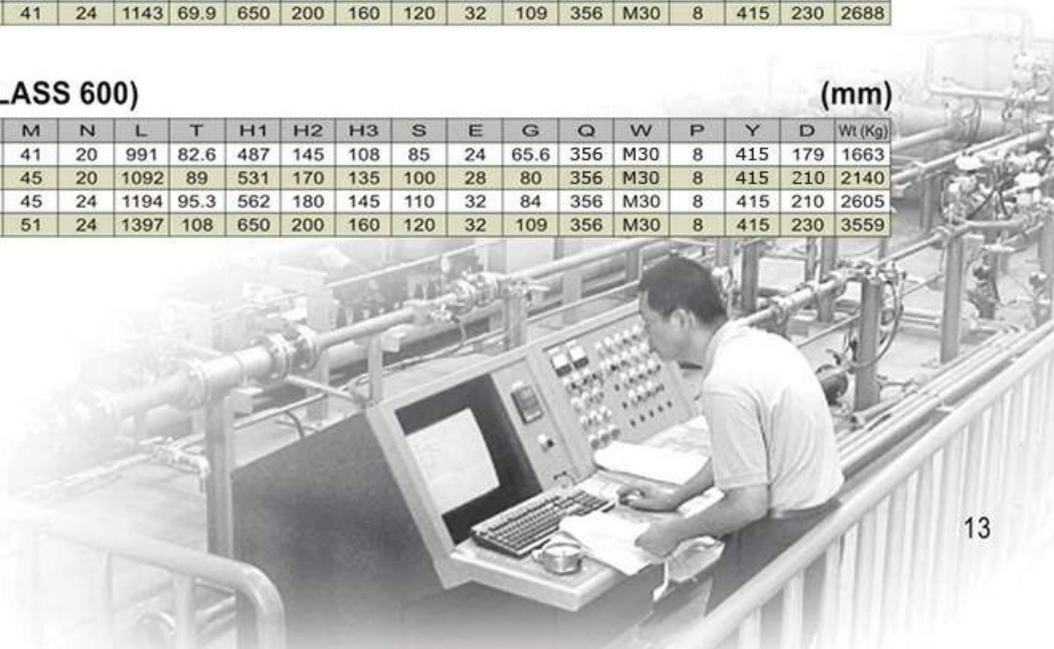
(mm)

SIZE	A	F	H	K	M	N	L	T	H1	H2	H3	S	E	G	Q	W	P	Y	D	Wt (Kg)
400 16"	387	470	571.5	648	35	20	838	57.2	487	145	108	85	24	65.6	254	M16	8	290	179	1200
450 18"	438	533	628.7	711	35	24	914	60.3	531	170	135	100	28	80	254	M16	8	290	190	1574
500 20"	489	584	686	775	35	24	991	63.5	562	180	145	110	32	84	298	M20	8	350	210	1966
600 24"	589	692	813	914	41	24	1143	69.9	650	200	160	120	32	109	356	M30	8	415	230	2688

**DIMENSIONS (ASME CLASS 600)**

(mm)

SIZE	A	F	H	K	M	N	L	T	H1	H2	H3	S	E	G	Q	W	P	Y	D	Wt (Kg)
400 16"	387	470	603	686	41	20	991	82.6	487	145	108	85	24	65.6	356	M30	8	415	179	1663
450 18"	438	533	654	743	45	20	1092	89	531	170	135	100	28	80	356	M30	8	415	210	2140
500 20"	489	584	724	813	45	24	1194	95.3	562	180	145	110	32	84	356	M30	8	415	210	2605
600 24"	589	692	838	940	51	24	1397	108	650	200	160	120	32	109	356	M30	8	415	230	3559





**JDV  
CONTROL  
VALVES**



API 6D



ISO 9001



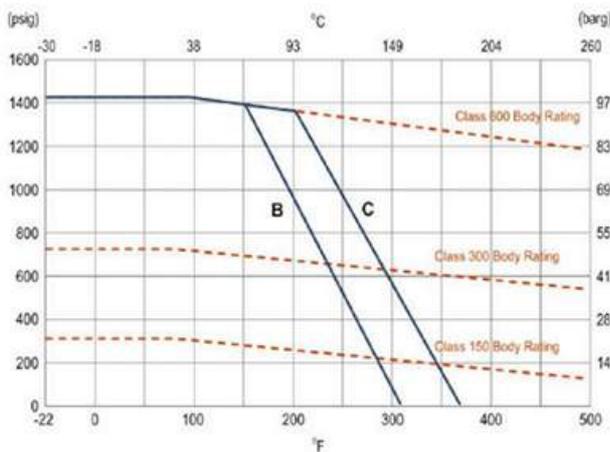
CE

**Cv VALUES**

Size	2"	3"	4"	6"	8"	10"	12"	14"	16"	18"	20"	24"
Cv	501	1158	2118	5074	9337	14590	21802	29675	38760	51058	63035	90770

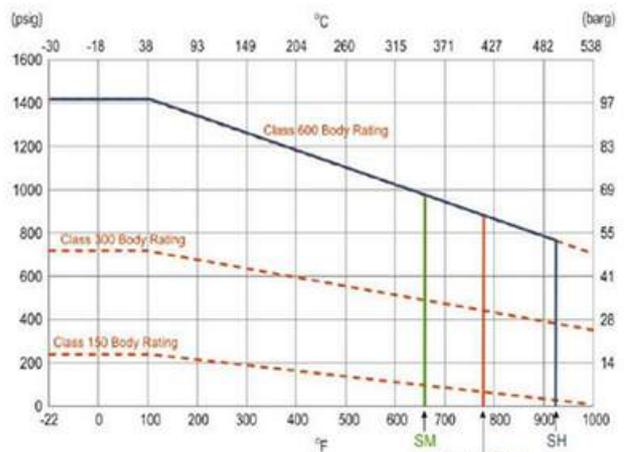
**TEMPERATURE & PRESSURE DIAGRAM**

**JBT 2"~24" (DN50~DN600)**



B= Glass Fiber PTFE  
C= Carbon Fiber PTFE

**JBTM 2"~24" (DN50~DN600)**



SM= Max Temperature 661°F (350°C)  
SH= Max Temperature 932°F (500°C)  
Carbon Steel Max Temperature 797°F (425°C)

## HOW TO ORDER

**JBT** → **A** → **B** → **C** → **D** → **E** → **F** → **G** → **H**

Ex: **JBT** → **C1** → **04** → **C** → **G** → **03** → **250** → **PGES** → **RF**

A. SPECIFICATION		B. BODY MAT'L		C. BALL		D. SEAT MAT'L		E. STEM MAT'L	
C1	ASME CLASS 150	02	WCB	A	CF8	G	G-PTFE (15% GLASS FIBER+PTFE)	02	304
C2	ASME CLASS 300	03	CF8	C	CF8M	C	C-PTFE (15% CARBON+PTFE)	03	316
C3	ASME CLASS 600	04	CF8M	D	CF3	S	S-PTFE (50% 316+PTFE)	05	317
C4	ASME CLASS 900	05	CF3	E	CF3M	T	TFM-1600®	08	316L
C5	ASME CLASS 1500	06	CF3M	F	CG8M	E	PEEK	10	S31803
C6	ASME CLASS 2500	07	CG8M	I	CD3MN				
		11	LCB						
		12	LCC						
		15	CD3MN						

F. SIZE		G. OPTION		H. END CONNECTION	
050	2"	F	FIRE SAFE	RF	RF FLANGED
080	3"	L	EXTENDED STEM	RT	RTJ FLANGED
100	4"	I	LIVE LOADING		
150	6"	H	LEVER		
200	8"	G	GEAR		
250	10"	A	BARE SHAFT		
300	12"	N	NACE		
350	14"	ES	EMERGENCY GREASE SEALS		
400	16"	DB	DOUBLE BLOCK & BLEED		
450	18"	DP	DOUBLE PISTON		
500	20"	DR	DRAIN		
600	24"	PG	PURGE		
		CY	CRYOGENIC DESIGN -40~-320 °F (-40~-196 °C)		

**JBTM** → **A** → **B** → **C** → **D** → **E** → **F** → **G** → **H**

Ex: **JBTM** → **C1** → **04** → **C** → **35** → **250** → **PGES** → **RF** → **SH2**

A. SPECIFICATION		B. BODY MAT'L		C. BALL & SEAT MAT'L		D. STEM MAT'L	
C1	ASME CLASS 150	02	WCB	A	CF8	02	304
C2	ASME CLASS 300	03	CF8	C	CF8M	03	316
C3	ASME CLASS 600	04	CF8M	D	CF3	05	317
C4	ASME CLASS 900	05	CF3	E	CF3M	08	316L
C5	ASME CLASS 1500	06	CF3M	F	CG8M	10	S31803
C6	ASME CLASS 2500	07	CG8M	I	CD3MN	22	630
		11	LCB			35	S66286
		12	LCC				
		15	CD3MN				

E. SIZE		F. OPTION		G. END CONNECTION		H. TEMPERATURE	
050	2"	F	FIRE SAFE	RF	RF FLANGED	SH	-20~661 °F (-29~350 °C) BALL W/HCR SEAT W/STELLITE®
080	3"	L	EXTENDED STEM	RT	RTJ FLANGED	SH1	-20~842 °F (-29~450 °C) BALL W/C SEAT W/C
100	4"	I	LIVE LOADING			SH2	-20~932 °F (-29~500 °C) BALL W/CRC SEAT W/CRC
150	6"	H	LEVER				
200	8"	G	GEAR				
250	10"	A	BARE SHAFT				
300	12"	N	NACE				
350	14"	ES	EMERGENCY GREASE SEALS				
400	16"	DB	DOUBLE BLOCK & BLEED				
450	18"	DP	DOUBLE PISTON				
500	20"	DR	DRAIN				
600	24"	PG	PURGE				
		CY	CRYOGENIC DESIGN -40~-320 °F (-40~-196 °C)				



■ HEADQUARTERS

NO. 6-1, QINGNIAN RD., YANGMEI CITY, TAOYUAN COUNTY 326, TAIWAN  
TEL +886-3-4965066 FAX +886-3-4963526 E-MAIL: sales@jdv.com.tw

■ ASSOCIATE

**ZUERCHER-TECHNIK AG**

NEUMATTSTRASSE 6, CH-4450 SISSACH, SWITZERLAND  
TEL: +41-61-975 10 10 FAX: +41-61-975 10 50 E-MAIL: info@zuercher.com



Copyright 2013/10. All rights are reserved by JDV.  
The technical data and content may be changed without prior notice.